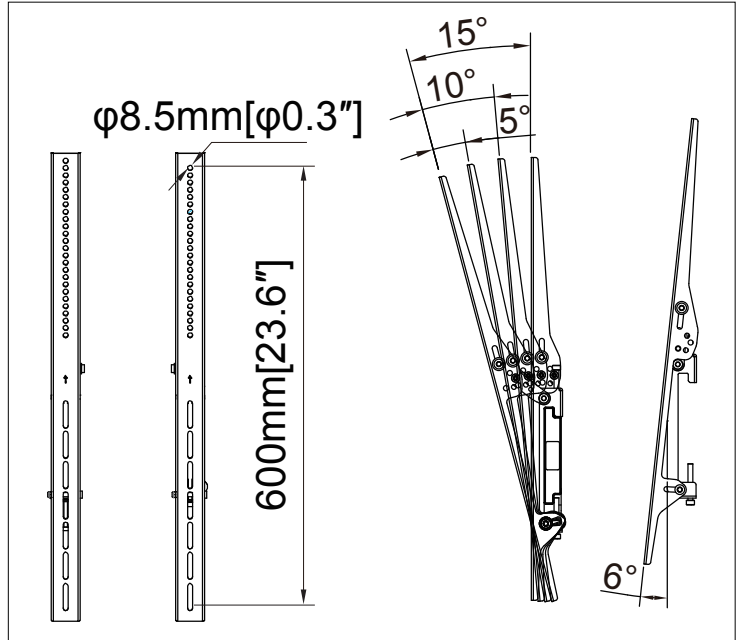


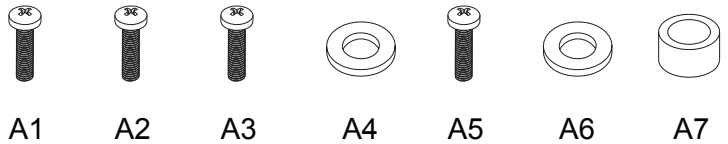
B C

### PRODUCT DIMENSIONS

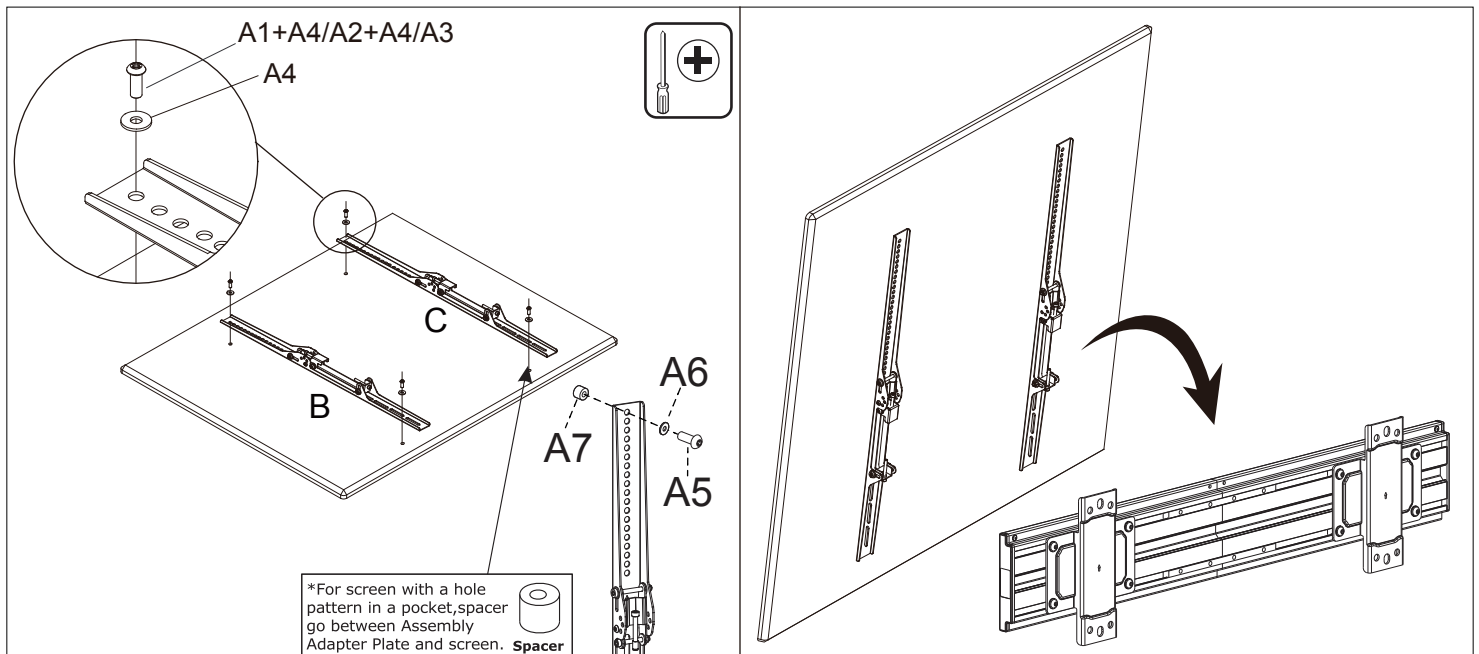


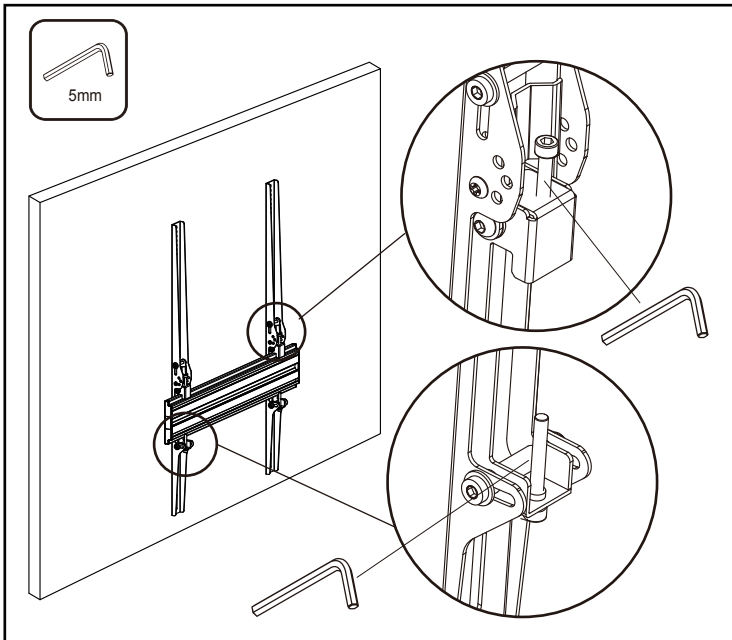
### COMPONENT CHECKLIST

| Item | Name                 | QTY |
|------|----------------------|-----|
| B    | Tilt Bracket-Left    | 1   |
| C    | Tilt Bracket-Right   | 1   |
| A1   | M5X15 Screw          | 4   |
| A2   | M6X15 Screw          | 4   |
| A3   | M8X25 Screw          | 4   |
| A4   | Ø16x Ø6.2x1.5 Washer | 4   |
| A5   | M8X45 Screw          | 4   |
| A6   | Ø16x Ø8.2x1.5 Washer | 4   |
| A7   | Ø13x Ø8.2x13 Washer  | 4   |

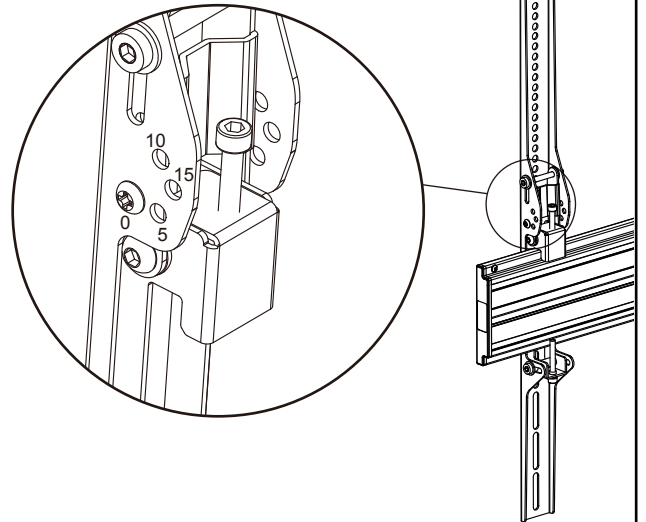


### PRODUCT DIMENSIONS

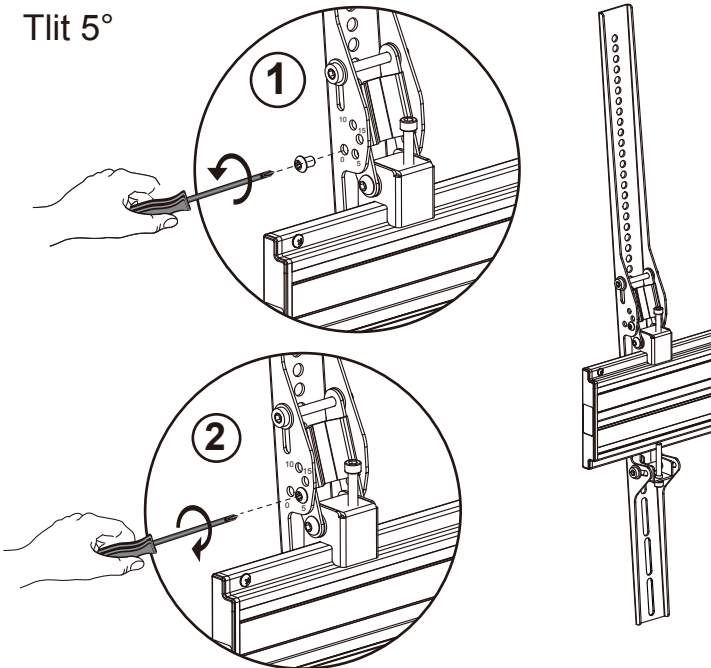




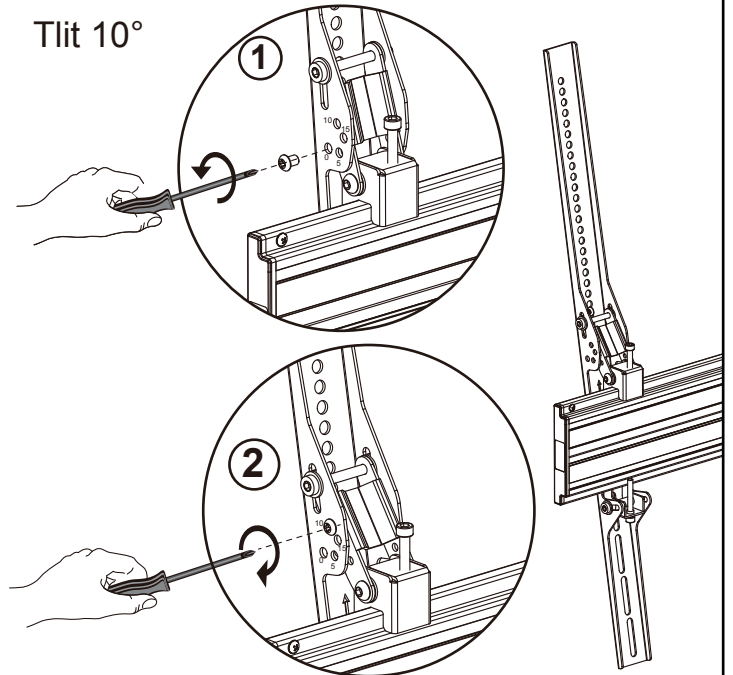
Tilt 0°



Tilt 5°



Tilt 10°



Tilt 15°

