

INSTALLATION GUIDE

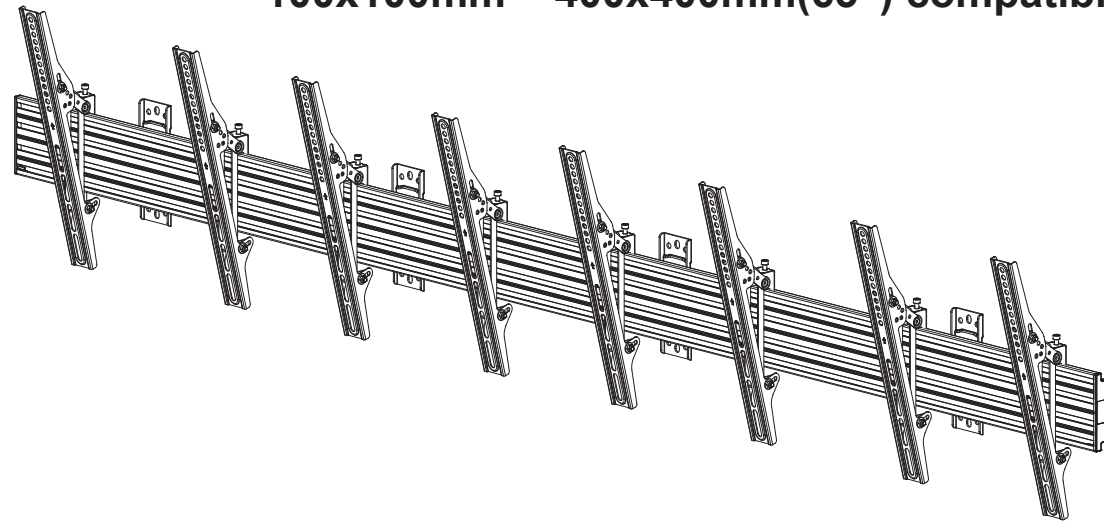
AMB4-T400

Support 32" to 65" Screen Size

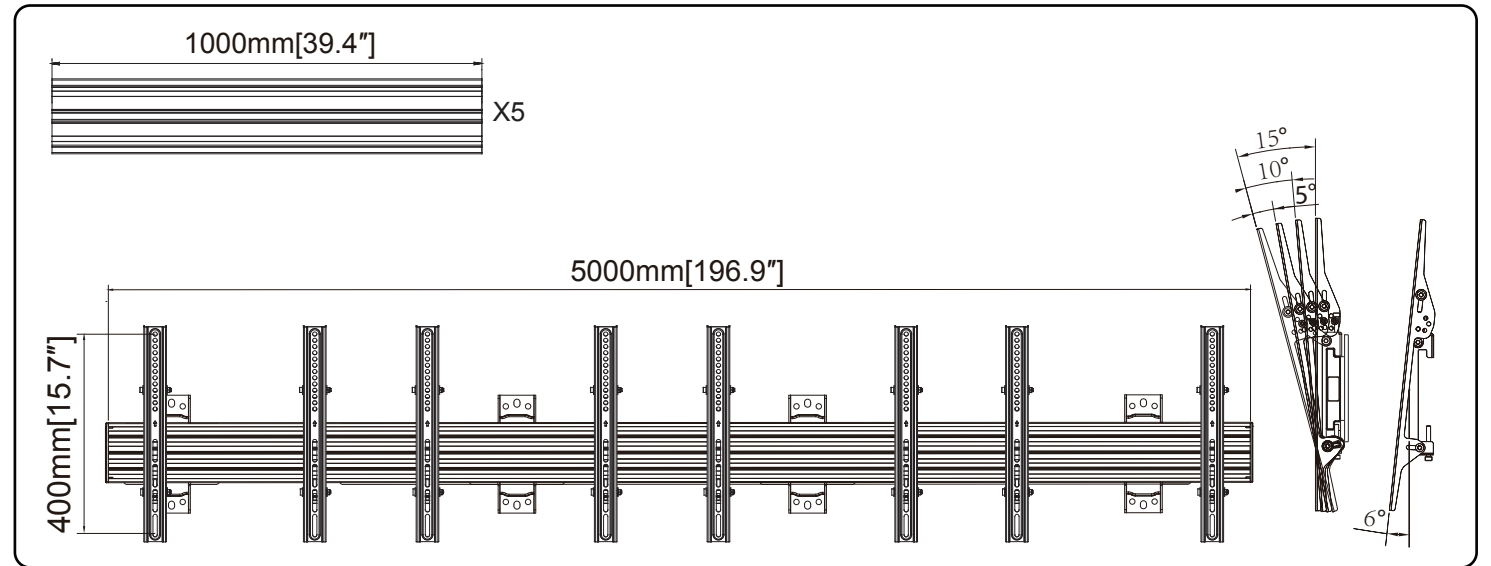
Max Load Capacity: 110lbs (50 kg) Per Screen

VESA 100x100mm ~ 600x400mm(55") compatible

100x100mm ~ 400x400mm(65") compatible



Dimensions



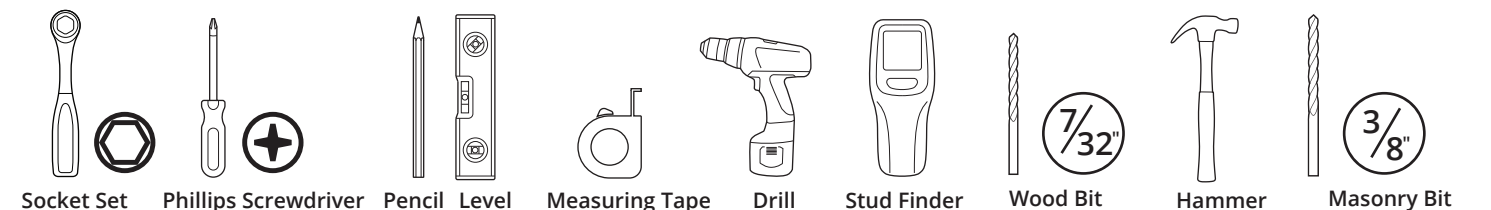
Parts list

A1	A2	A3	A4	A5	A6	A7	X4
M5X15	M6X15	M8X25	Ø16XØ6.2X1.5	M8X45	Ø16XØ8.2X1.5	Ø13XØ8.2X13	
X4	X4	X4	X4	X4	X4	X4	

M8	M8x10	Ø16XØ8.2X1.5	Lag bolt	Anchor	3mm&5mm	Open-wrench	X1
X16	X16	X8	X8	X8	X1(Each)		
B1	B2	B3	B4	B5	B6		

D1	D2	D3	D4	D5
X4	X5	X8	X2	X16

Required Tools

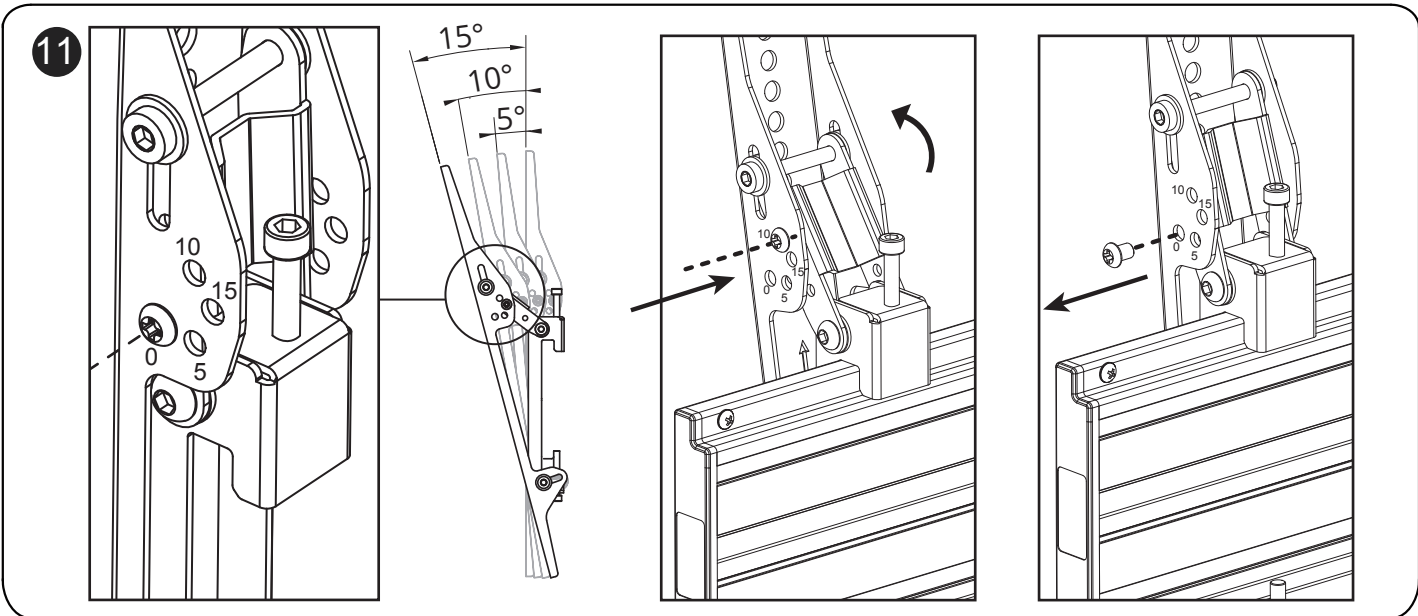
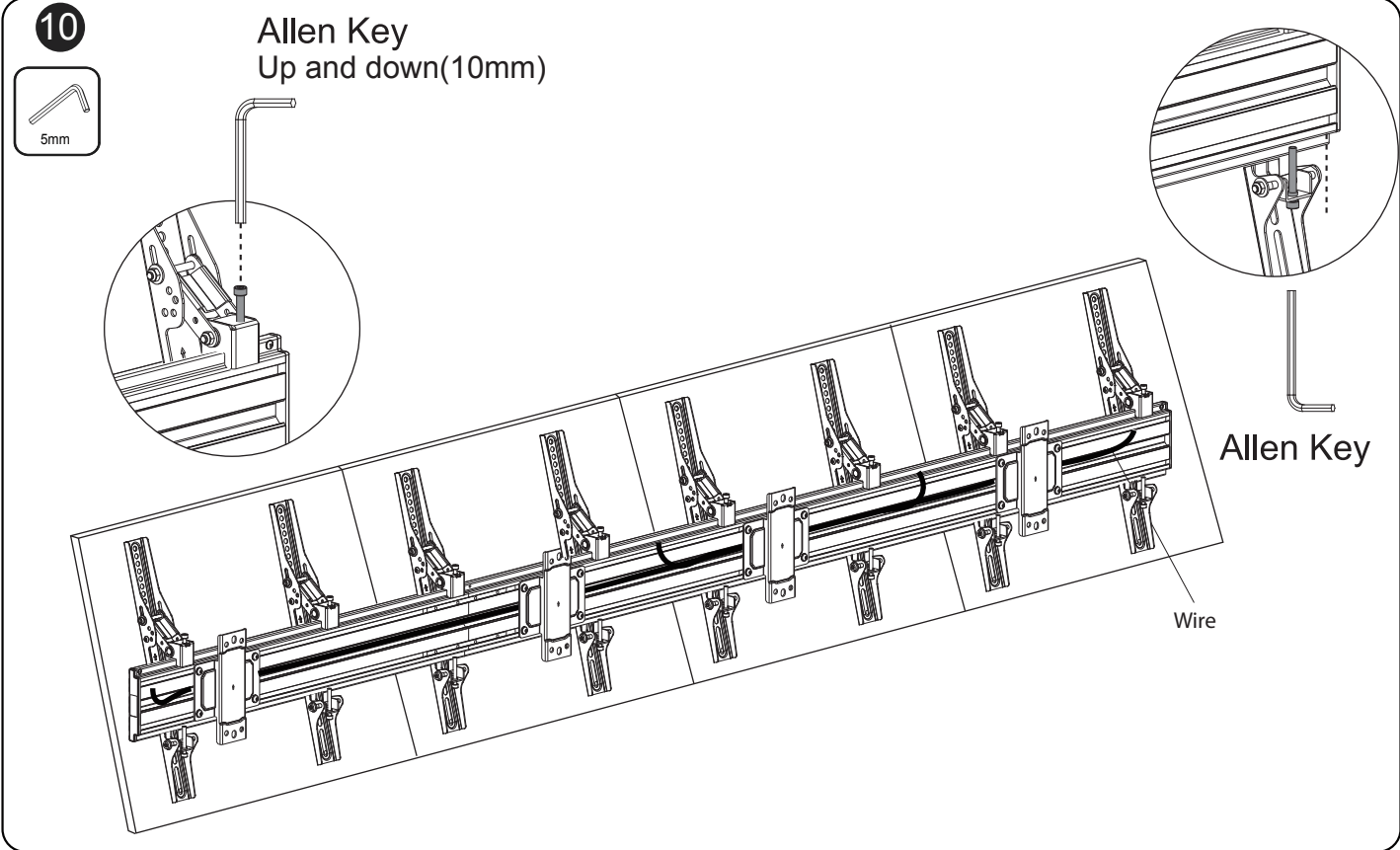
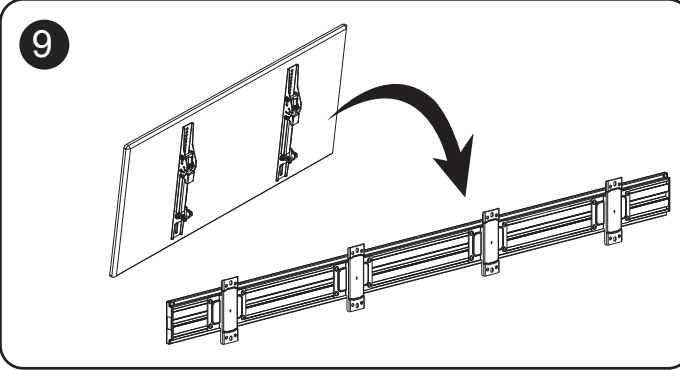
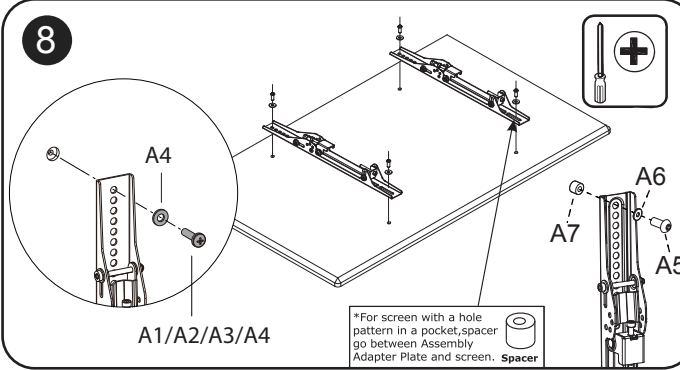
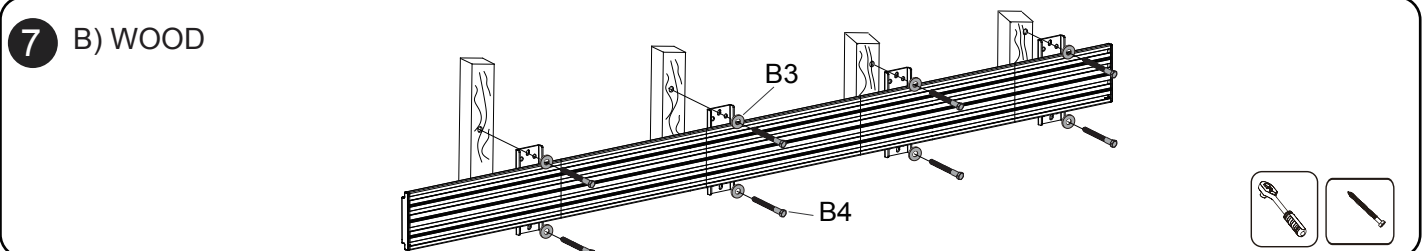
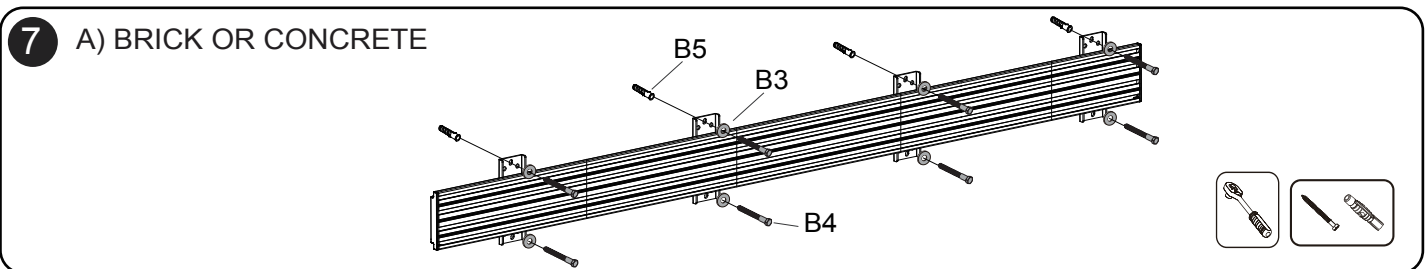
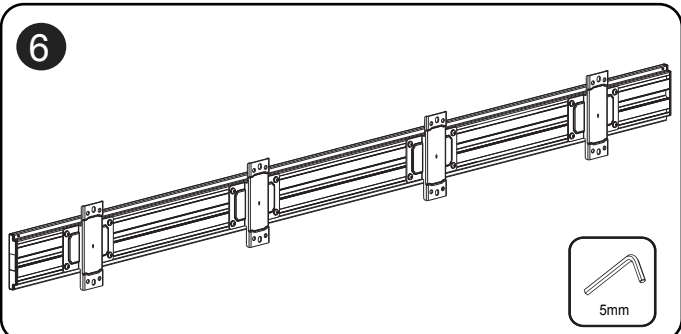
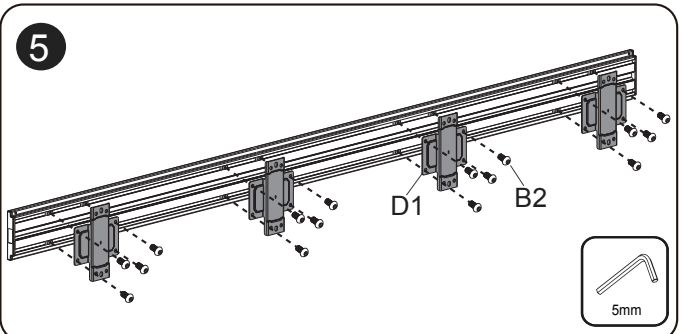
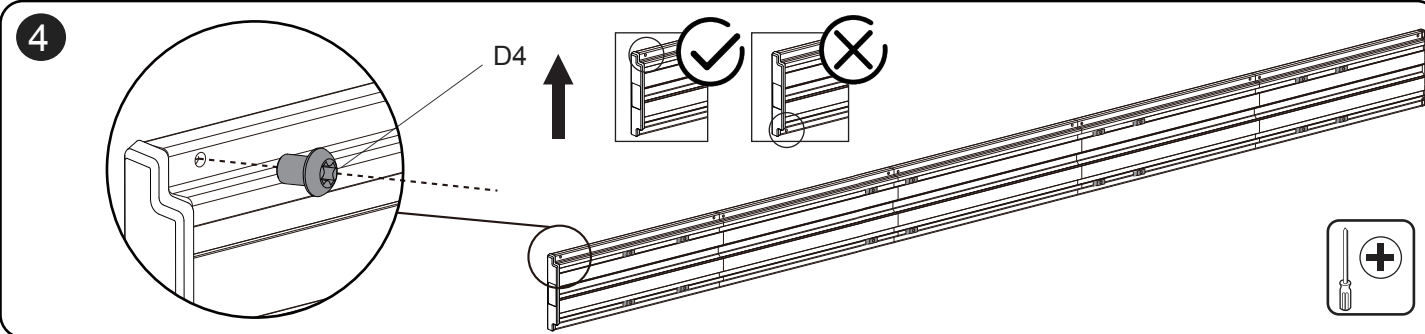
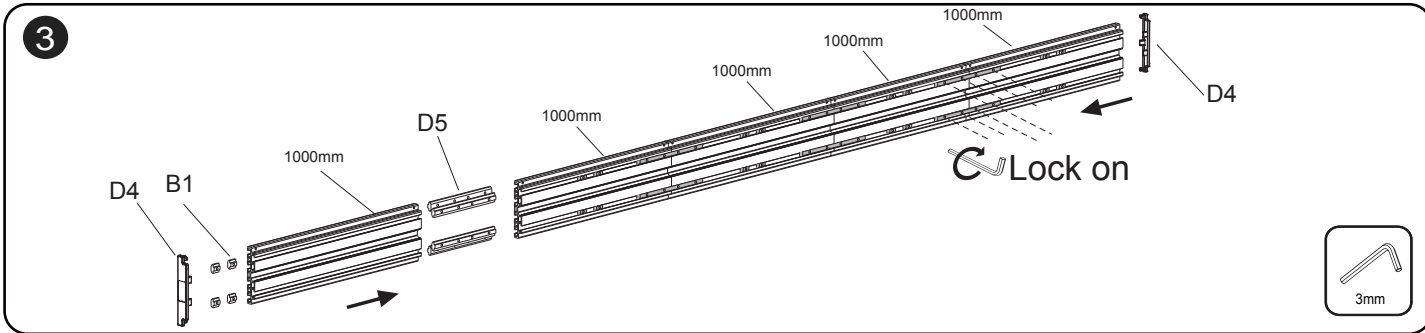
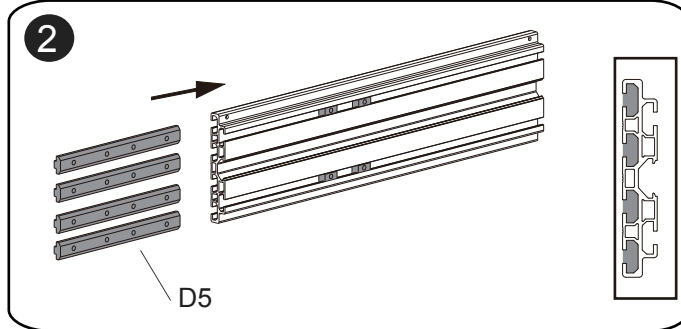
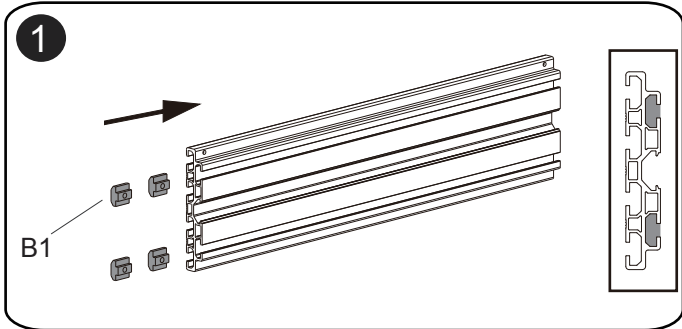


⚠ WARNING

Severe personal injury and property damage can result from improper installation or assembly. Read the following warning carefully before beginning.

- Products must be installed by professionals.
- If you do not understand the instructions or have any concerns or questions, please contact a qualified local installer.
- Do not install or assemble if the product or hardware is damaged or missing, if you require replacement parts, please contact your local distributor for assistance.
- This product fits most 32" - 65" LCD / plasma screen; maximum weight of LCD / plasma screen: 50 kg / 110lbs per screen.
- This product has been designed for use on a vertical wall constructed of wood studs (minimum 2" x 4" inch(51x102mm)) or masonry (solid concrete).
- For safe installation, the wall you are mounting to must support minimum 3 times the weight of the total load (the mount, the TV and all accessories).
- Do not use this product for any other application than original designed.
- This product contain moving parts, please use with caution.
- When installing flat panel display, please do not damage electrical wiring or power source.
- Installation and routing of monitor cables on the monitor bracket must comply with electro-technical regulations.
- Importantly, mains- and data-cables must be secured against twisting and squeezing or shearing.
- The manufacturer will bear no responsibility to the vertical wall of mounting, or incidental or consequential damages arising thereof.
- The manufacturer disclaims any liability for the modifications, improper installation, or installation over the specified weight range. The manufacturer will not be liable for any damages arising out of the use of , or inability to use, the product.

Installation



AURORA MOUNTS Any content of this document or any artwork contained within this document should not be modified or reproduced without the written consent of Aurora Mounts. Visit auroramounts.com.au for product and warranty information. Contact us at info@auroramounts.com.au for questions or comments.