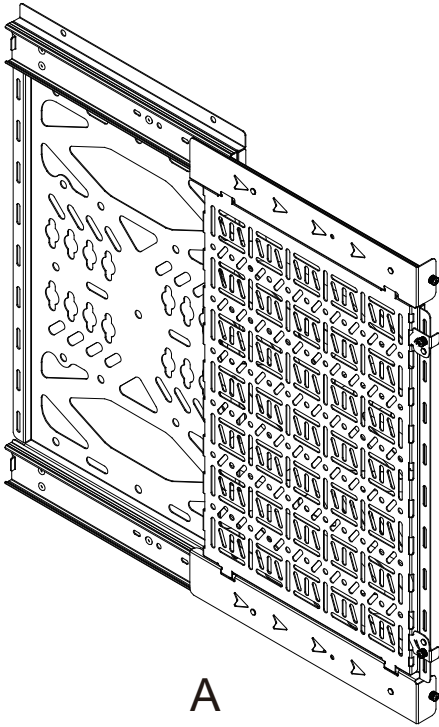


# AURORA MOUNTS

PRO MOUNTING SOLUTIONS

## INSTALLATION GUIDE

### AMS-SMS



#### COMPONENT CHECKLIST

Item	Name	QTY
A	Main Mount Body	1
B	Lag bolt 6x50mm	4
C	Anchor Ø6x50mm	4
D	Ø16XØ8.2X1.5 Washer	4
E	M4x8 Screw	2
F	M8 x 10mm Screw	2
G	M8 Sliding Nut	2
H	5mm Allen key	1
I	Velcro	2

A



B



C



D



E



F



G

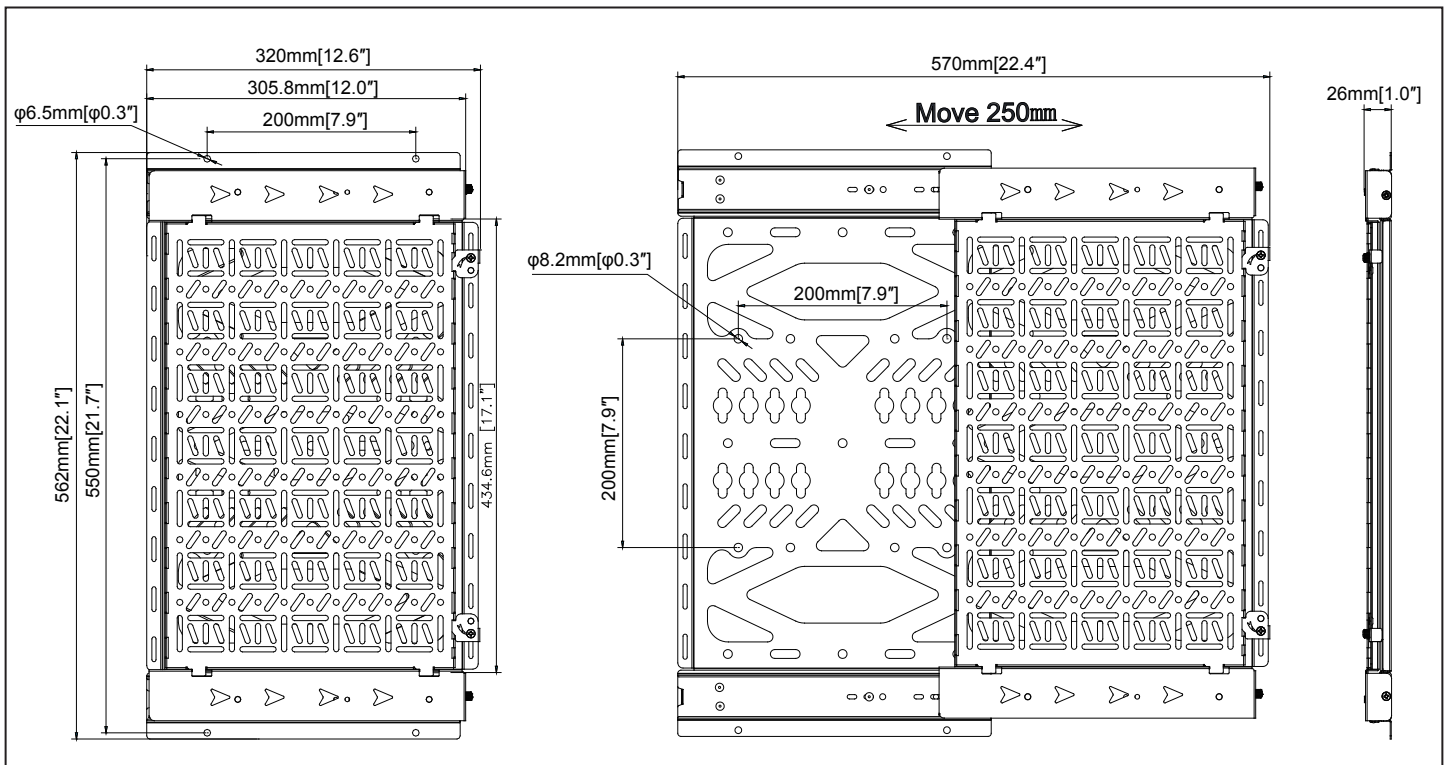


H



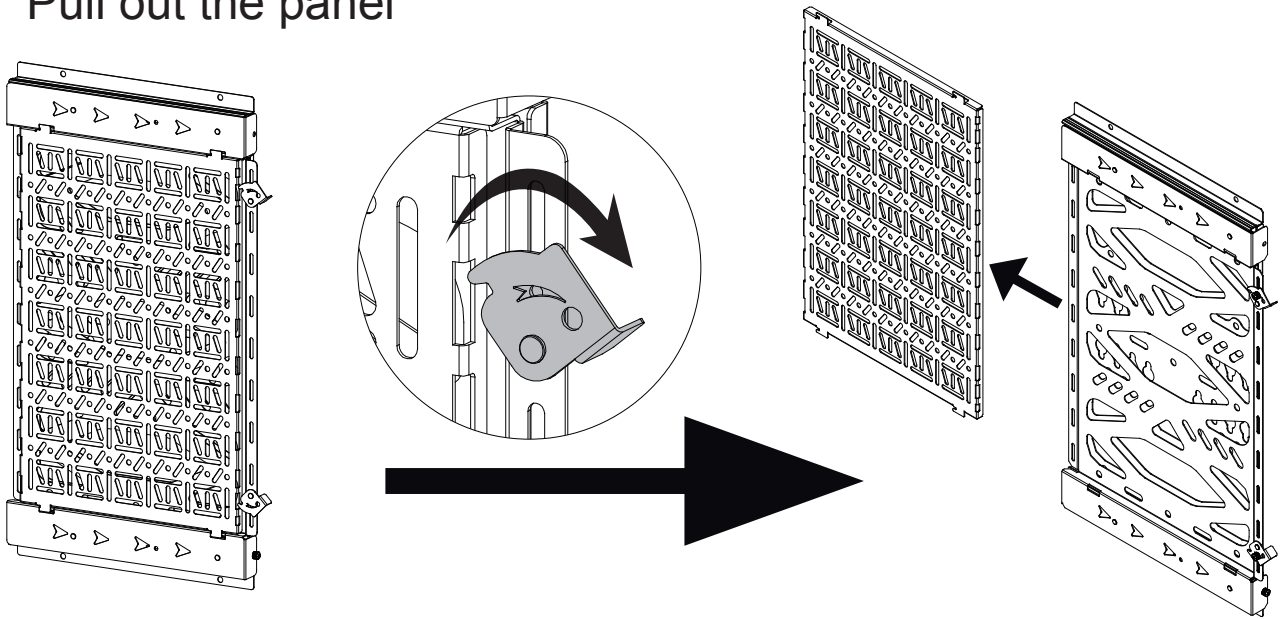
I

#### PRODUCT DIMENSIONS

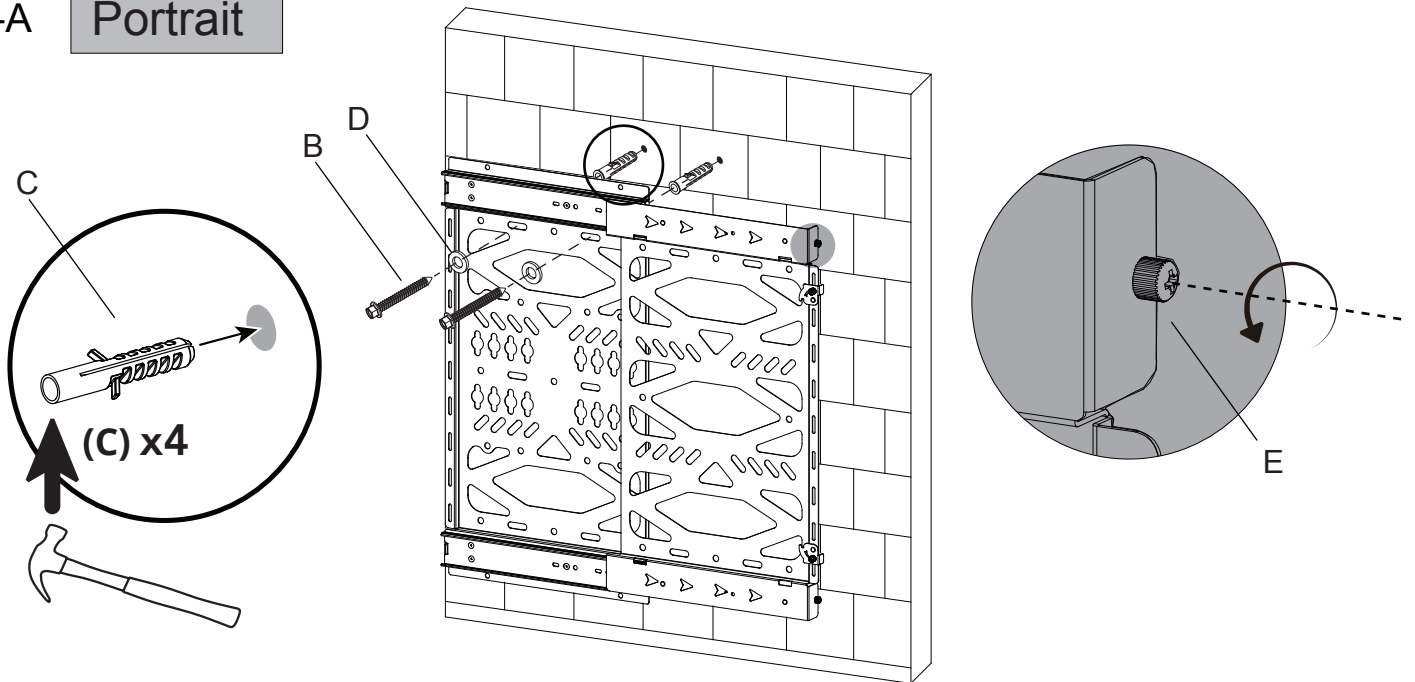


# INSTALLATION INSTRUCTION

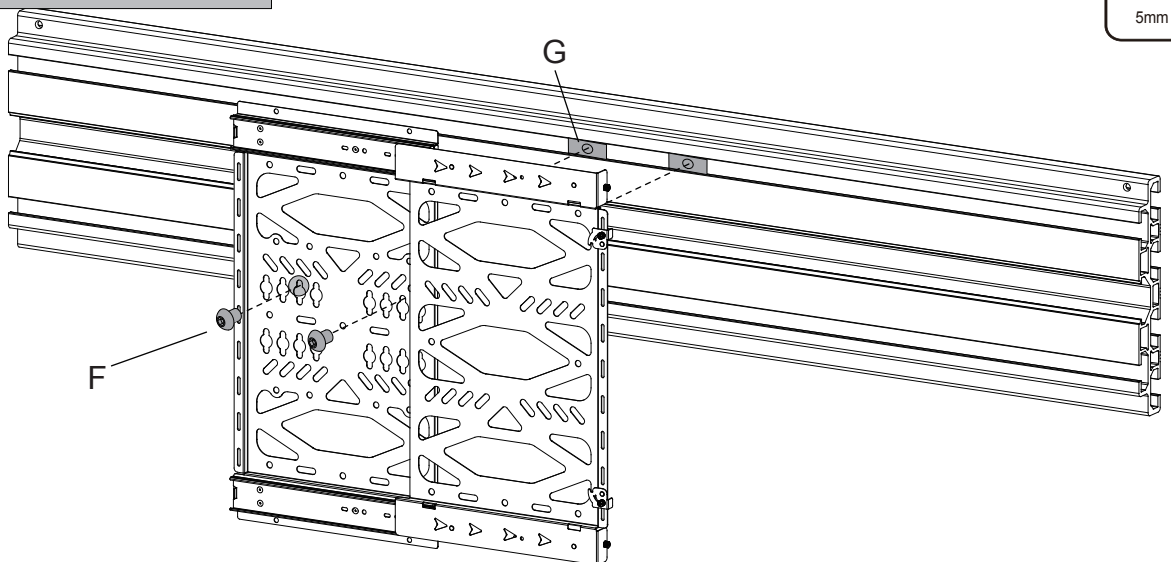
## 1 Pull out the panel



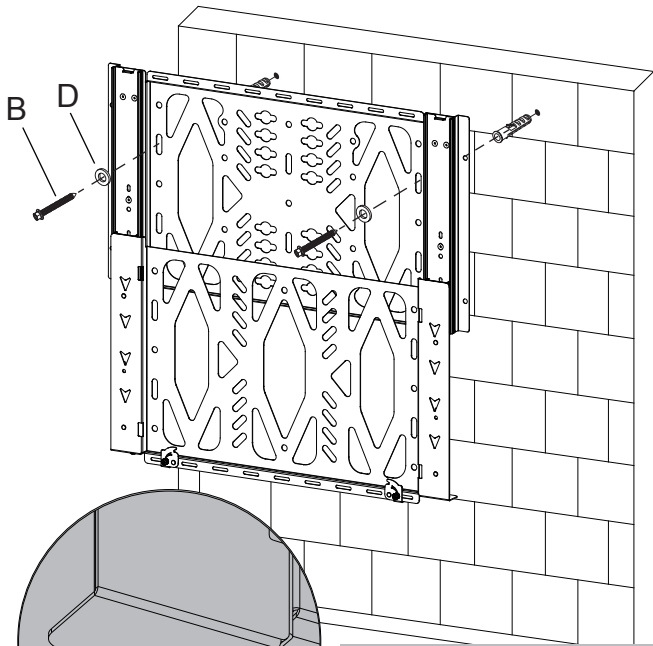
## 2-A Portrait



## Optional Installation

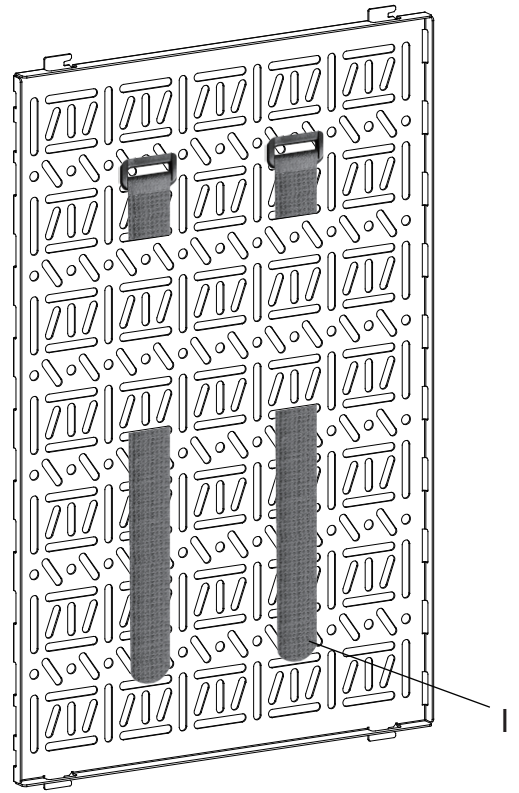


**2-B** Landscape  
(Optional Installation)

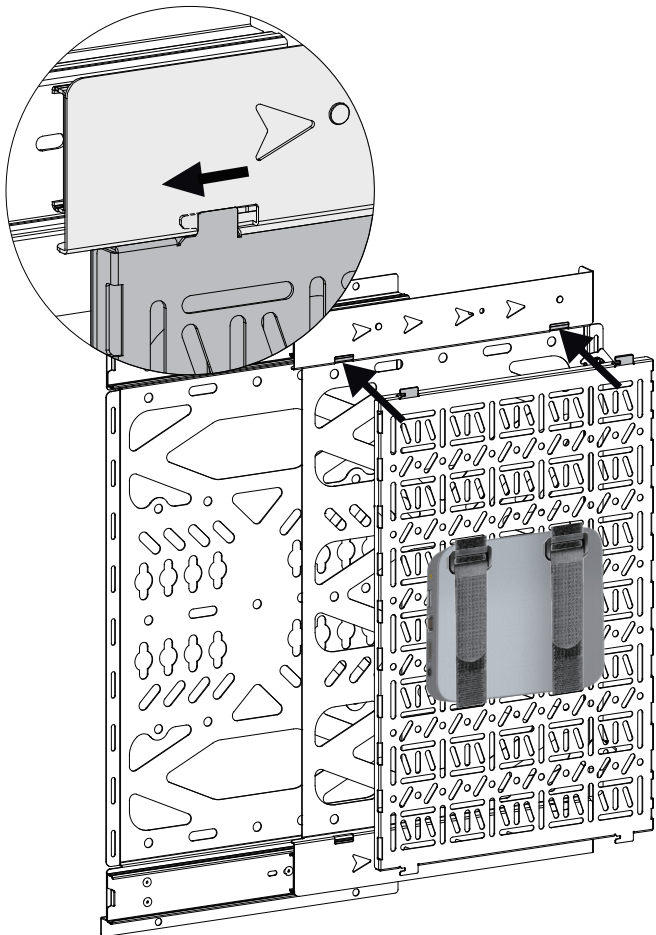


When Landscape install, tight this screw by hand to fix the panel to avoid slip down.

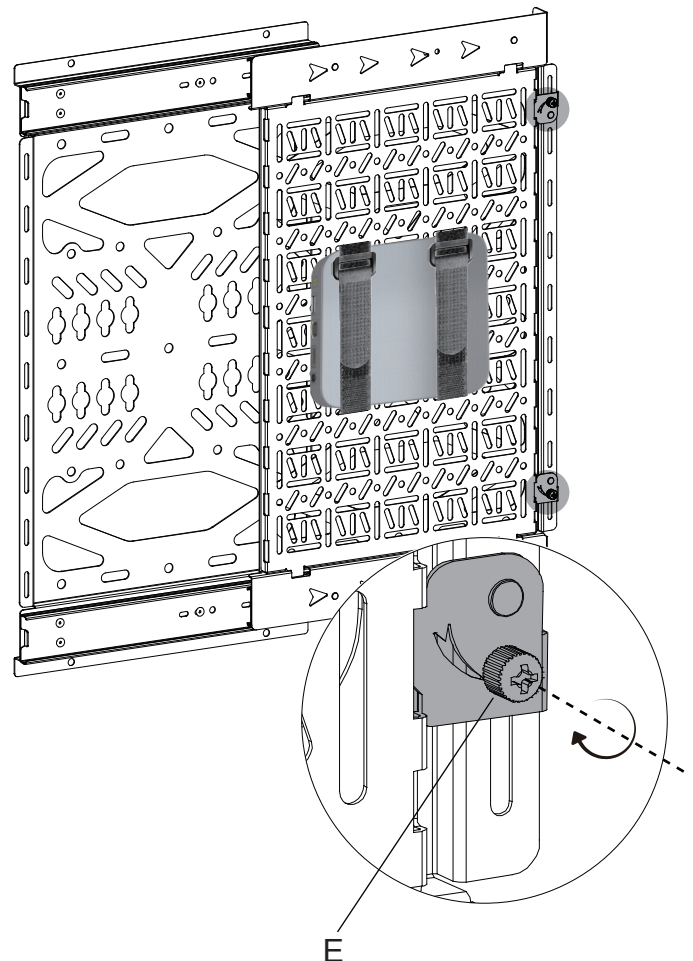
**3** Attach the Velcro to the panel



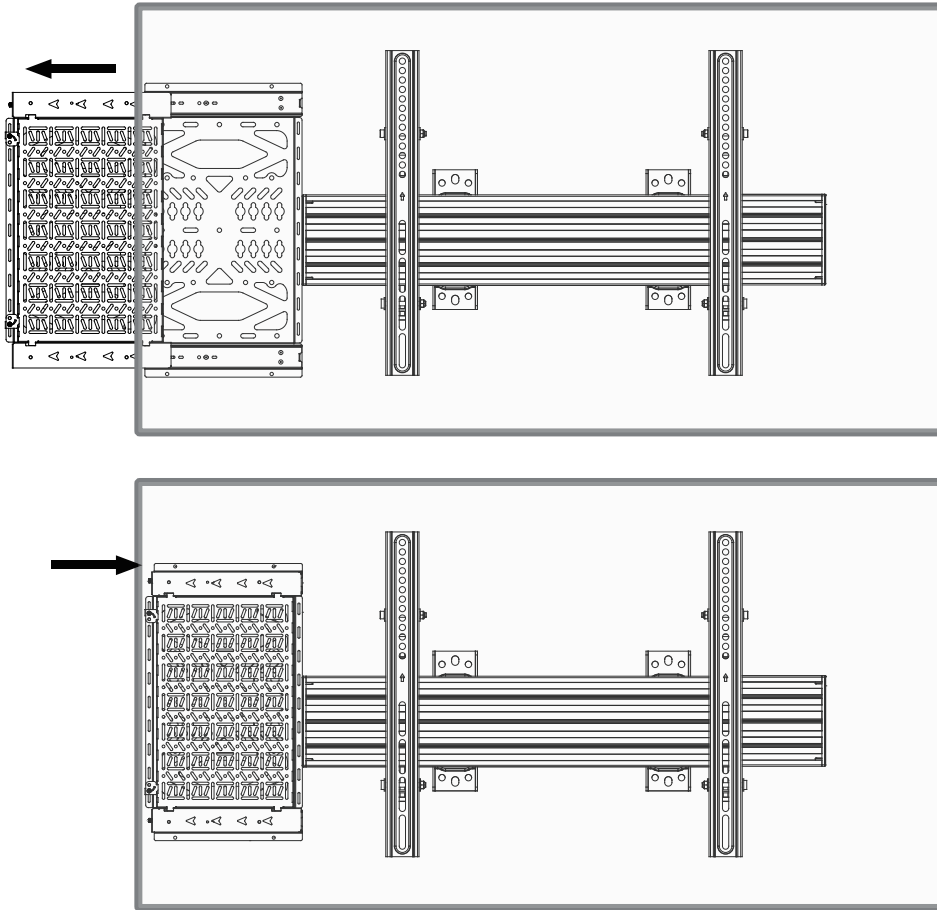
**4** Panel mounted on the main body



**5**



6-A



6-B

