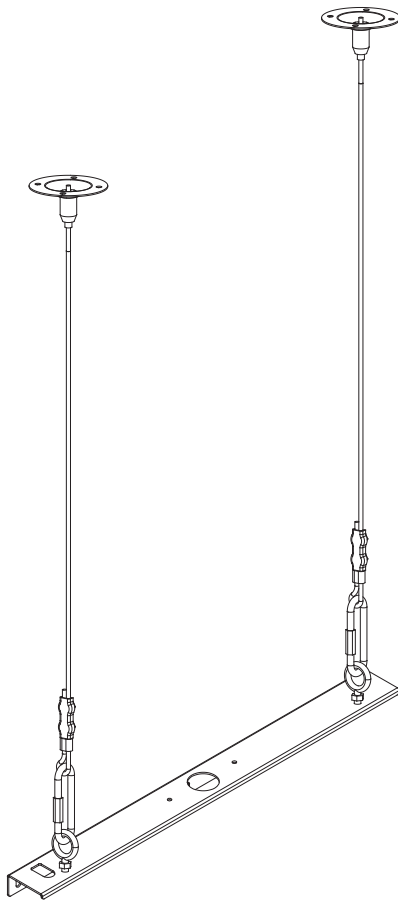
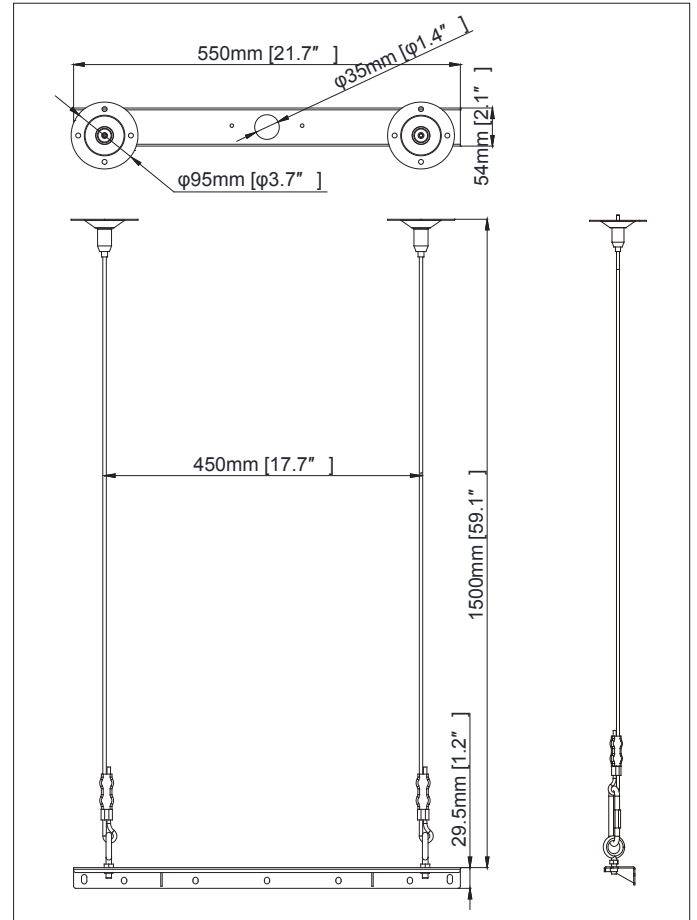


AEN-WCP  
Wire connecting plate for enclosure  
Height 1500MM (M) 49"-65"



### PRODUCT DIMENSIONS



### Parts list

B1	B2	B3	B4		B5	B6	D1	D2	D3	D4
Lag bolt	Anchor	M6x6	Ø16xØ6.2x1.5	M6						
X8	X8	X2	X4	X2	X2	X1	X2	1600mm X2	X1	X2

### INSTALLATION INSTRUCTION

**1** a.

**2** -a

-b

**3**

