

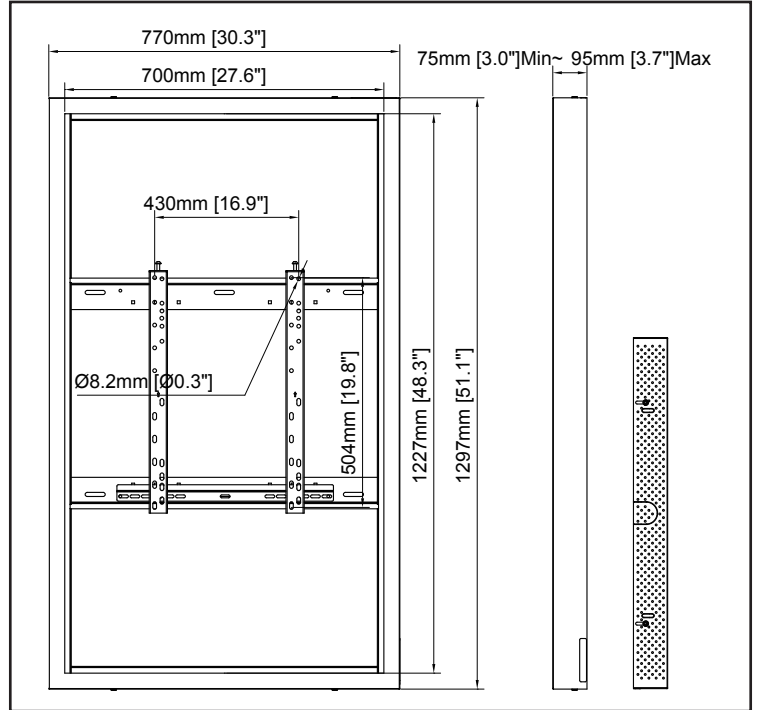
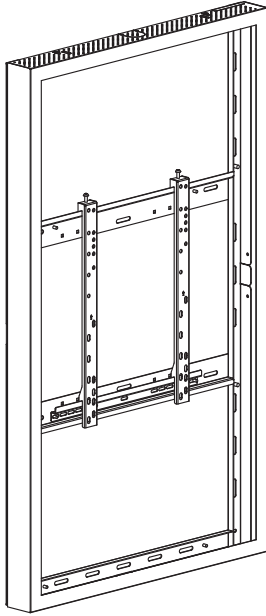
AURORA MOUNTS

PRO MOUNTING SOLUTIONS

INSTALLATION GUIDE

AEN-55-W

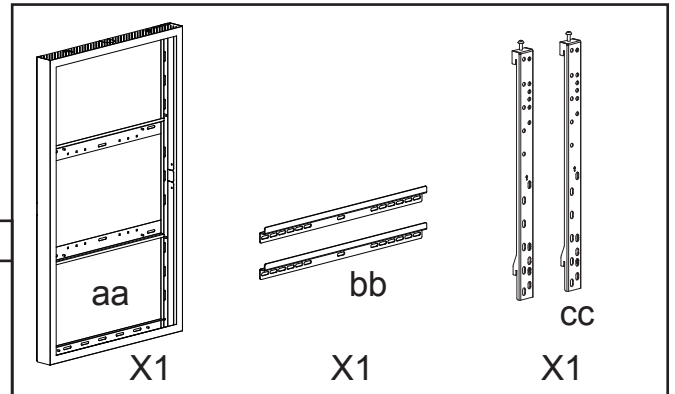
PRODUCT DIMENSIONS



COMPONENT CHECKLIST

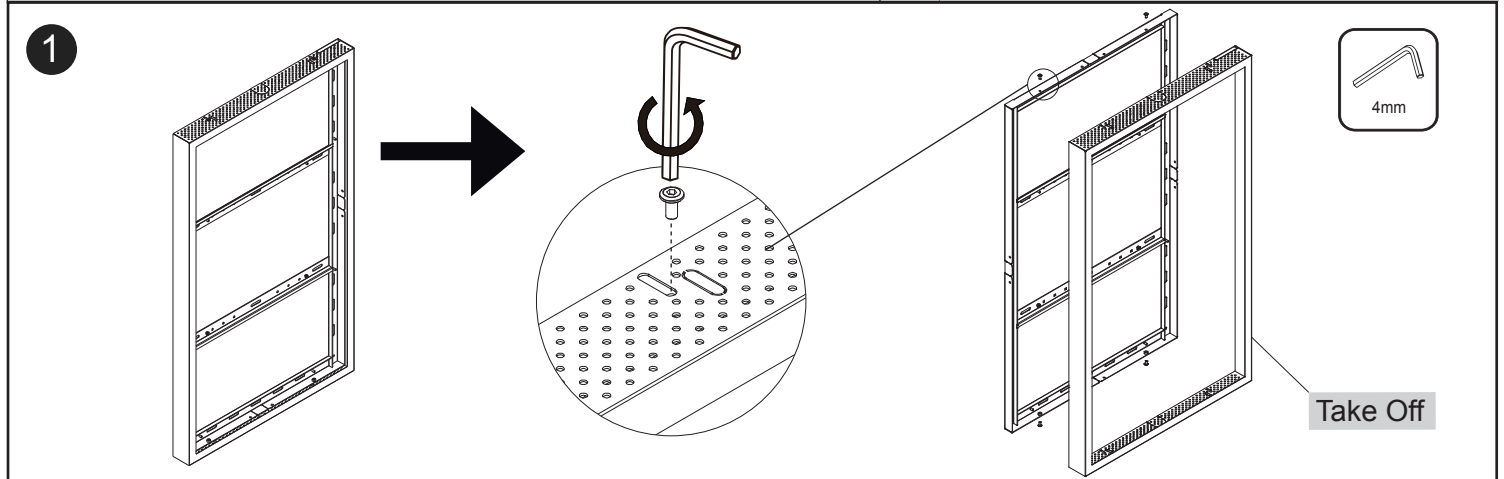
A1	A2	A3	A4	A5	A6	A7
M6X15	M6X20	M8X15	M8X20	Ø16xØ8.2x1.5	M6	Ø16xØ6.2x1.5
X4	X4	X4	X4	X4	X4	X8

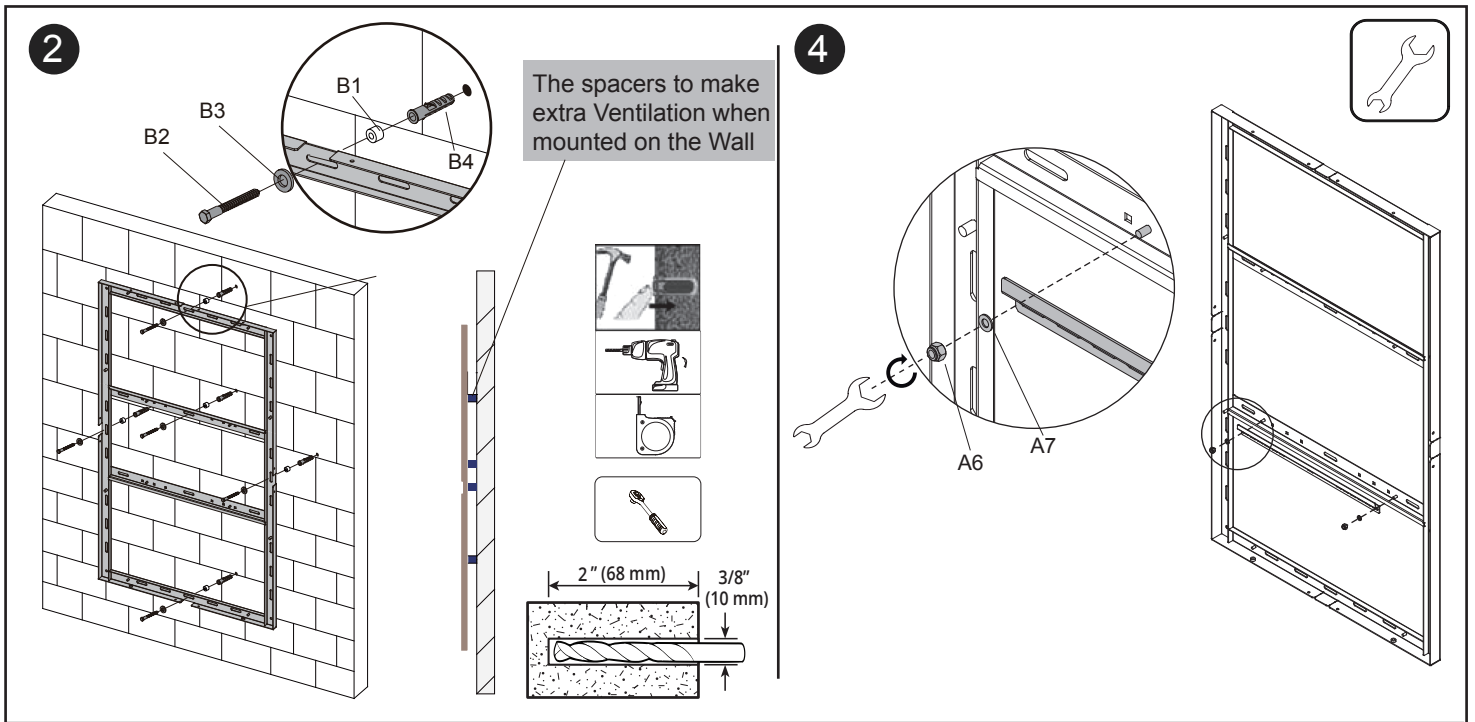
B1	B2	B3	B4	B5	B6
Ø13xØ8.2x5.0	Lag bolt	Ø16xØ8.2x1.5	Anchor	4mm	M6
X14	X5	X5	X5	X1	X4



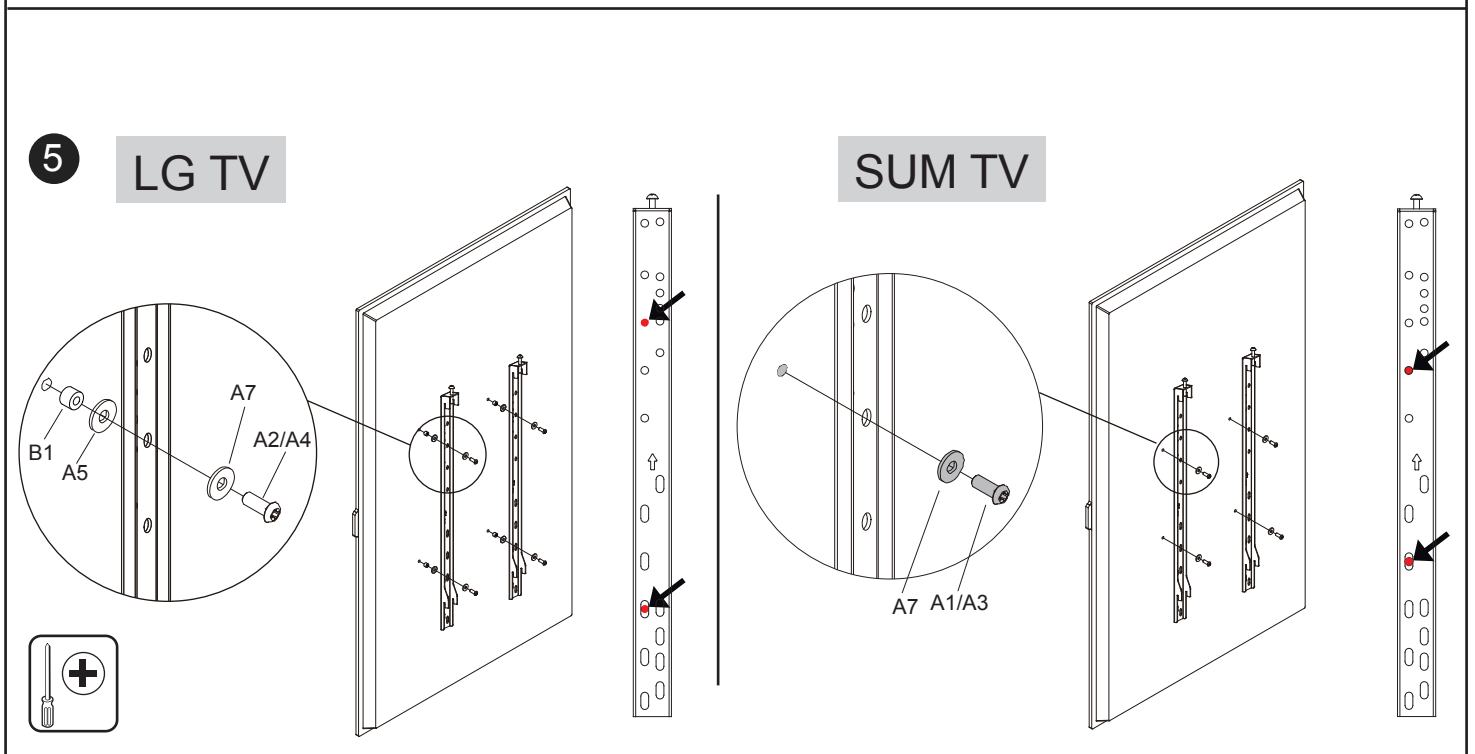
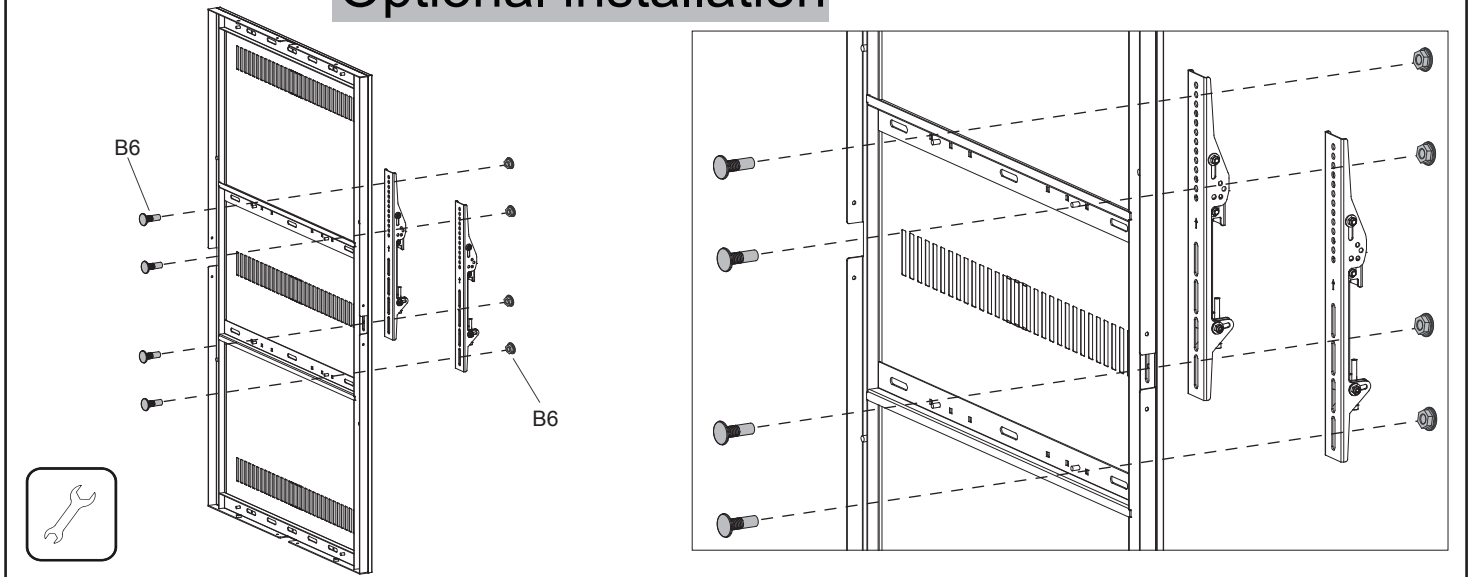
INSTALLATION INSTRUCTION

Portrait (A)

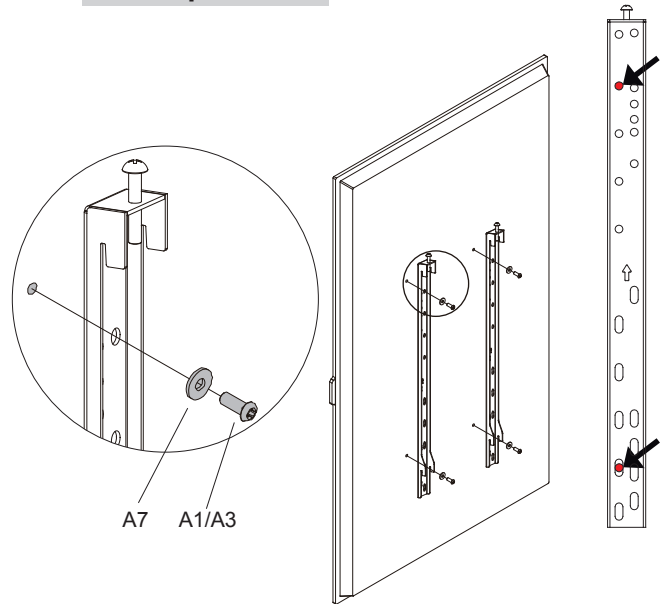




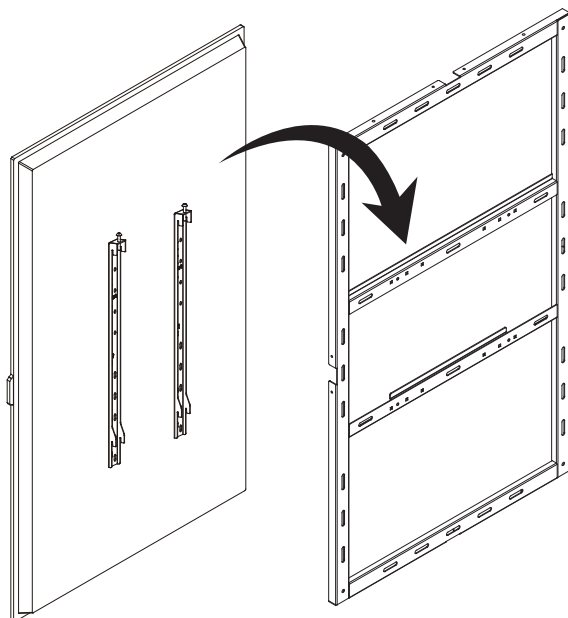
Optional installation



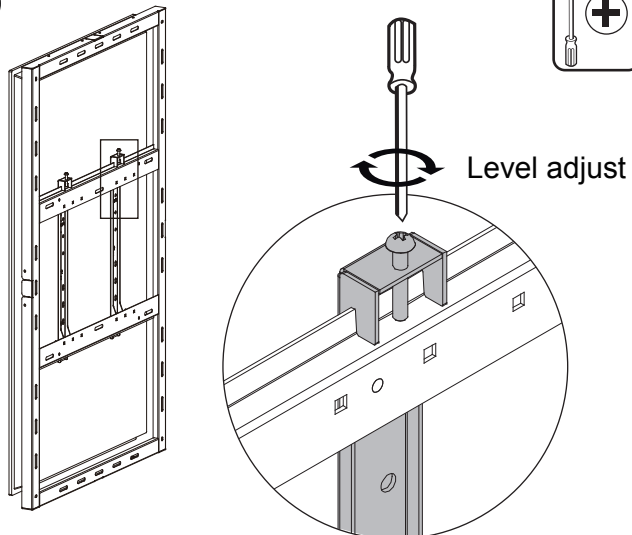
Philips TV



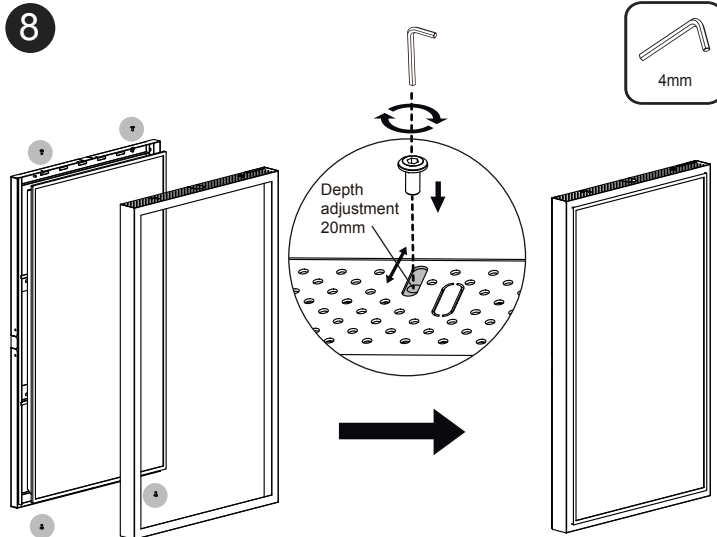
6



7

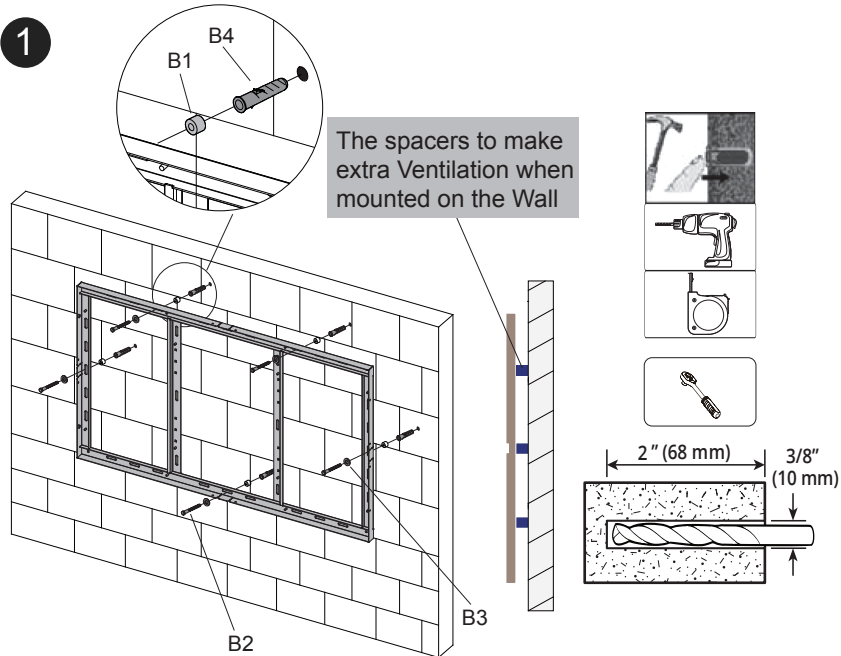


8



Landscape (B)

1



2

