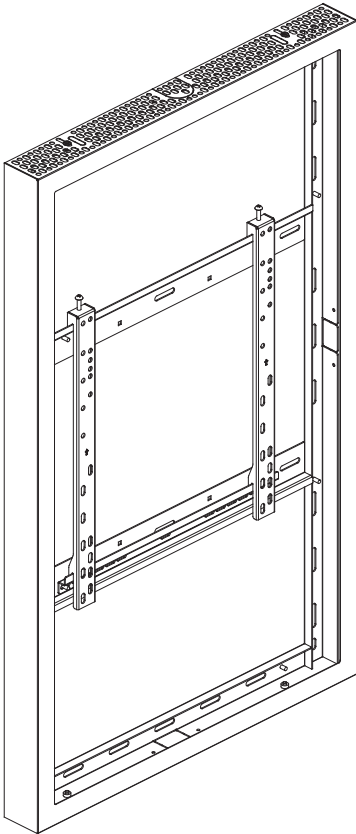


# AURORA MOUNTS

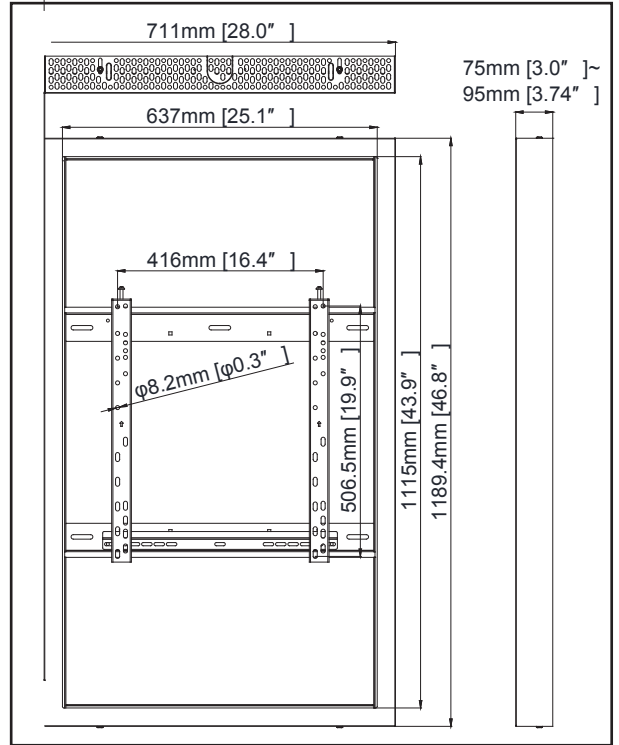
PRO MOUNTING SOLUTIONS

## INSTALLATION GUIDE

### AEN-50-W



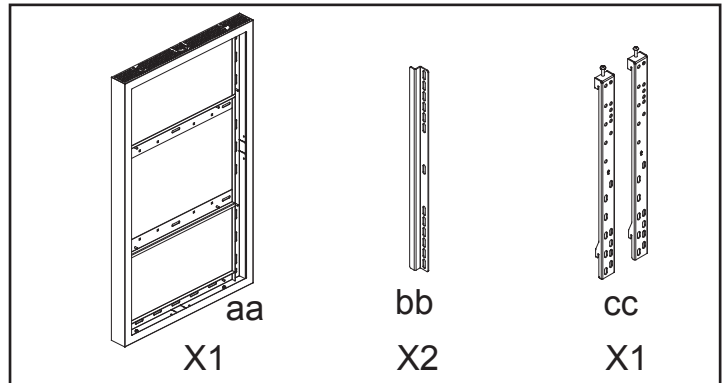
#### PRODUCT DIMENSIONS



#### COMPONENT CHECKLIST

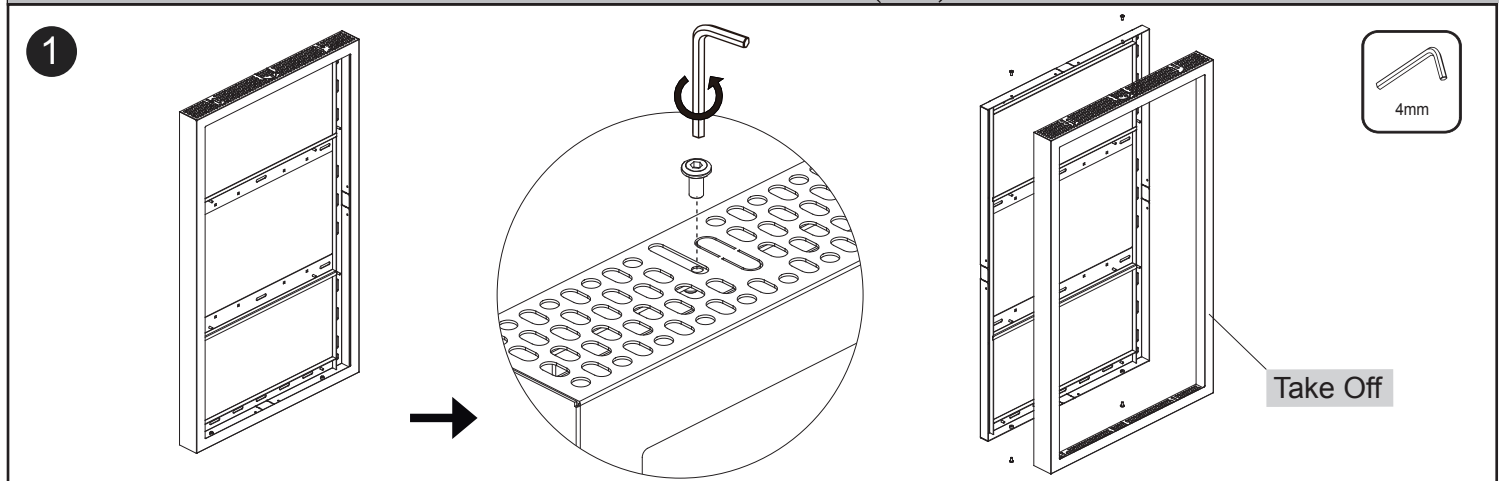
A1	A2	A3	A4	A5	A6
M6X15	M8X15	$\phi 16 \times \phi 8.2 \times 1.5$	$\phi 13 \times \phi 8.2 \times 5.0$	$\phi 16 \times \phi 6.2 \times 1.5$	M6
X4	X4	X4	X10	X4	X4

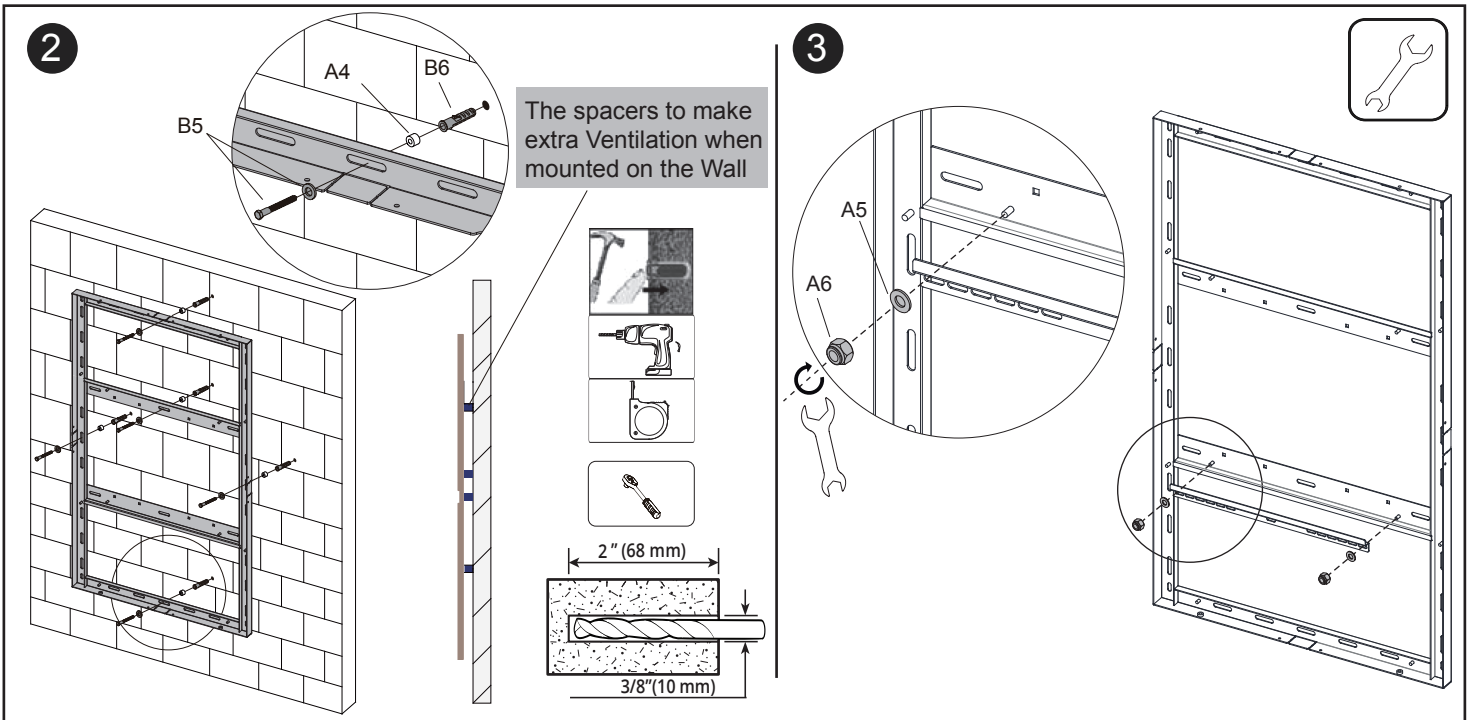
B1	B2	B3	B4	B5	B6	
	4mm	M6x25	M6	Lag bolt	$\phi 16 \times \phi 8.2 \times 1.5$	Anchor
X1	X1	X4	X4	X5	X5	X5



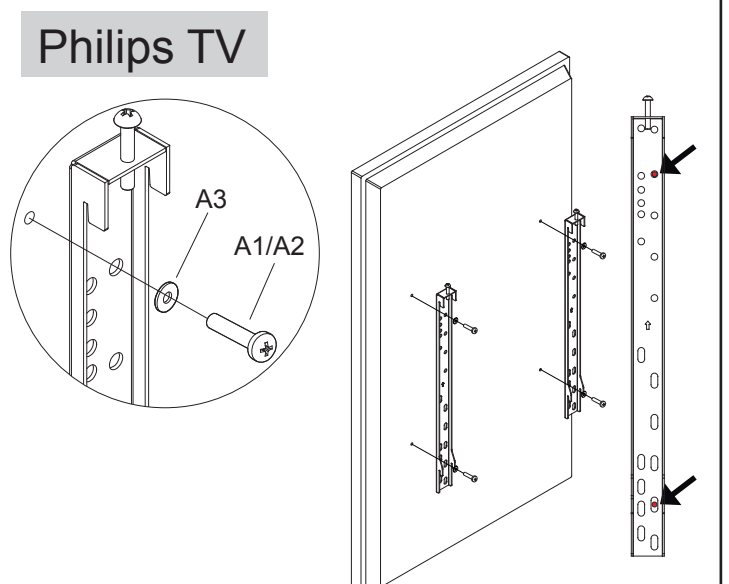
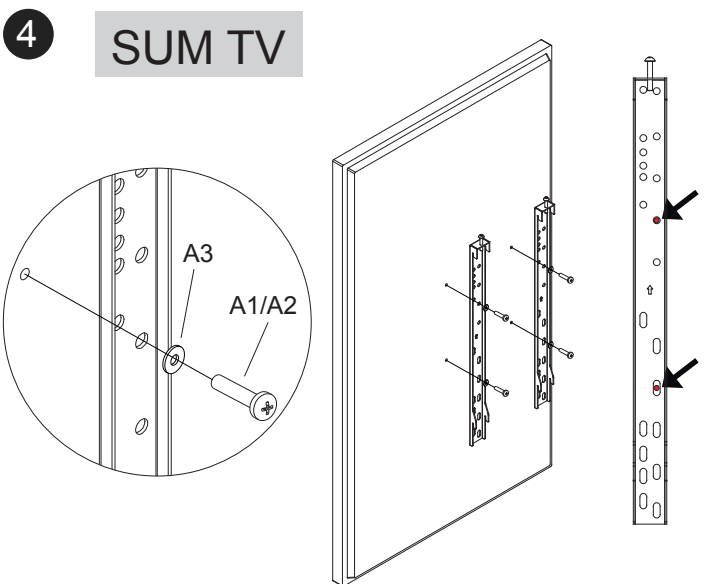
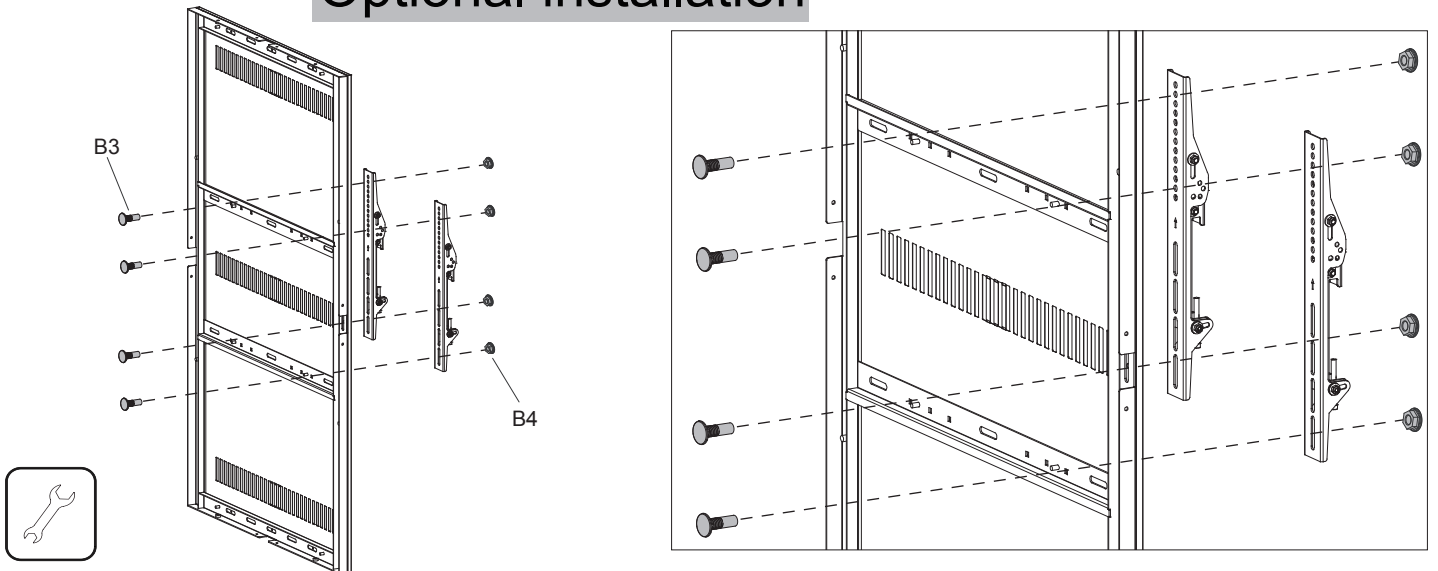
#### INSTALLATION INSTRUCTION

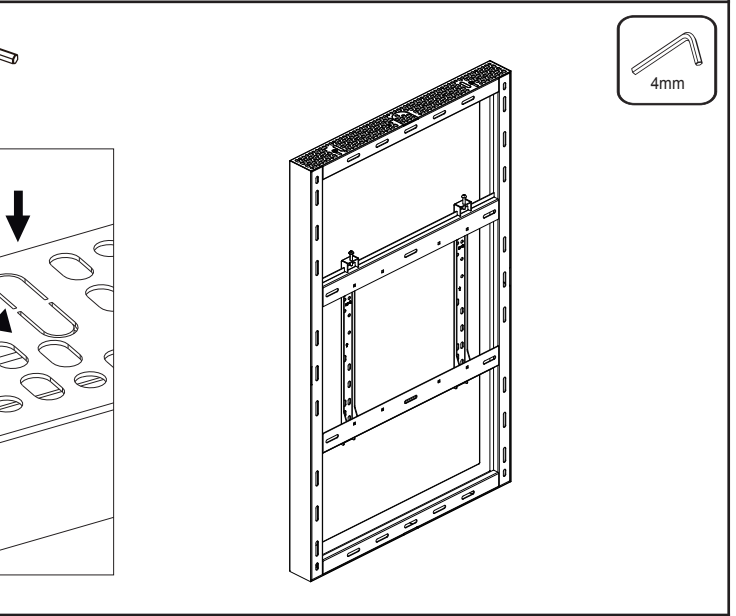
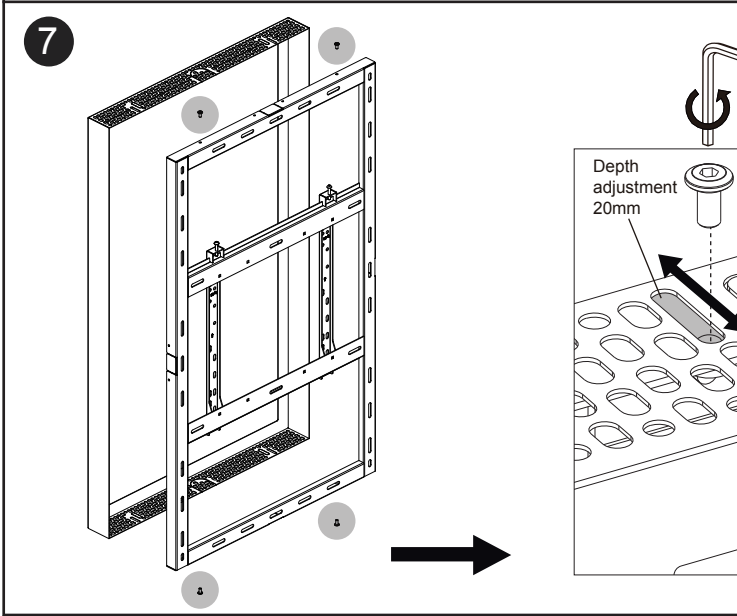
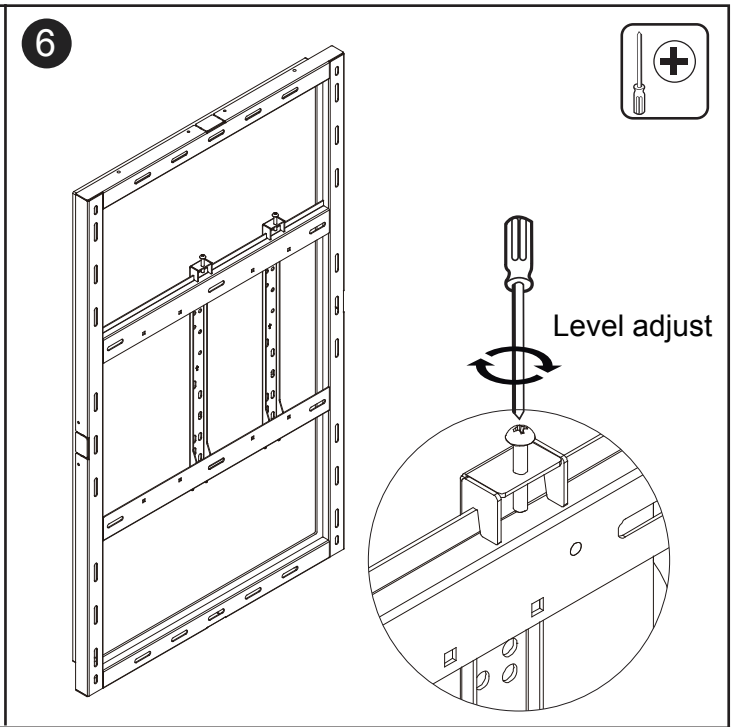
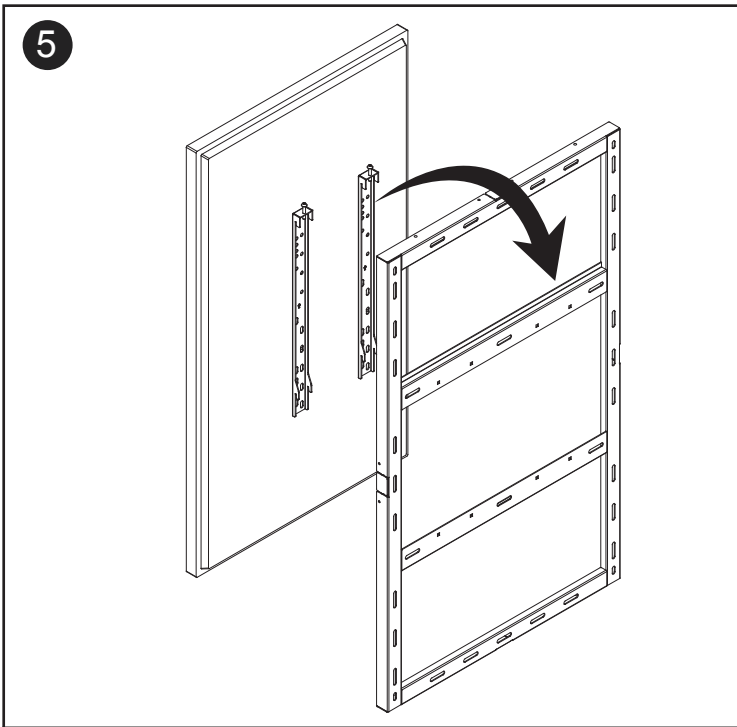
### Portrait (A)



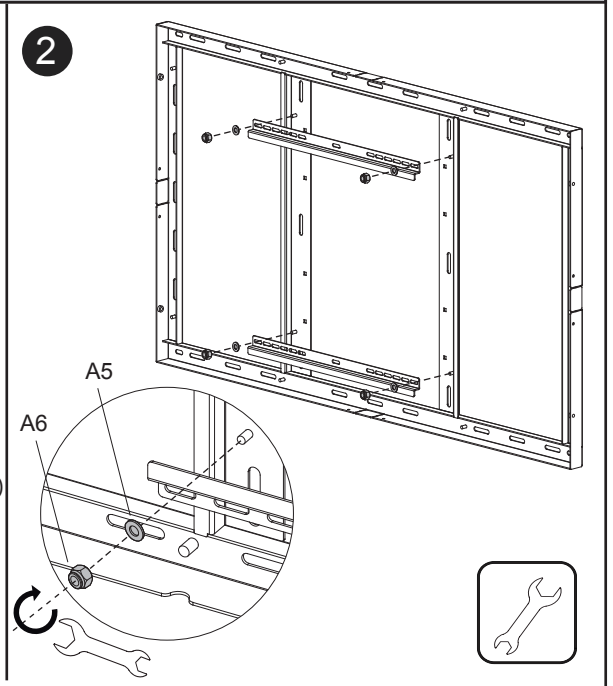
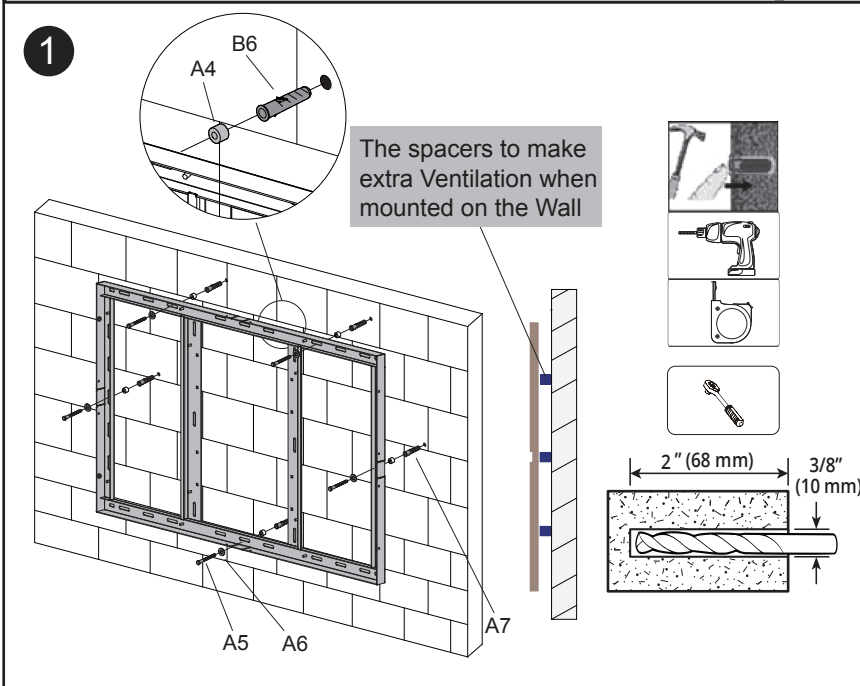


## Optional installation

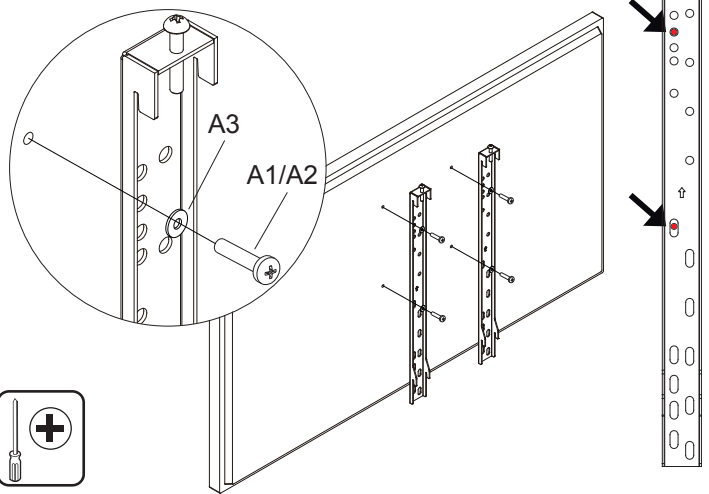




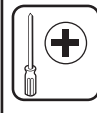
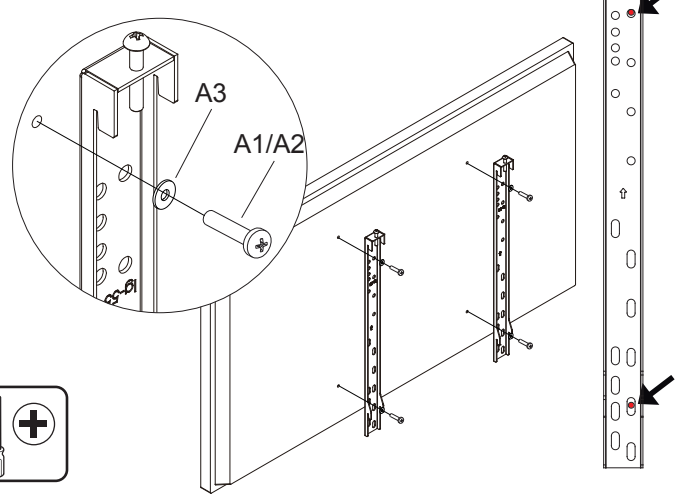
## Landscape (B)



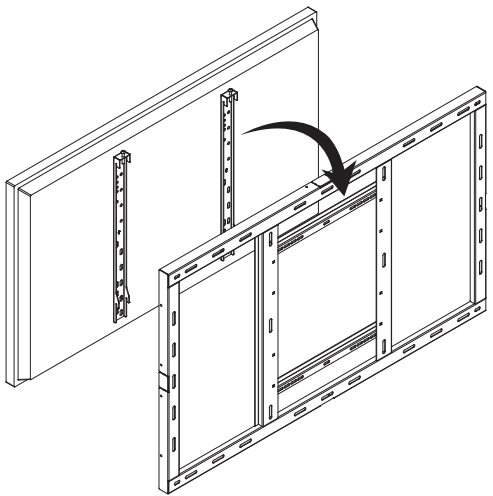
**3** SUM TV



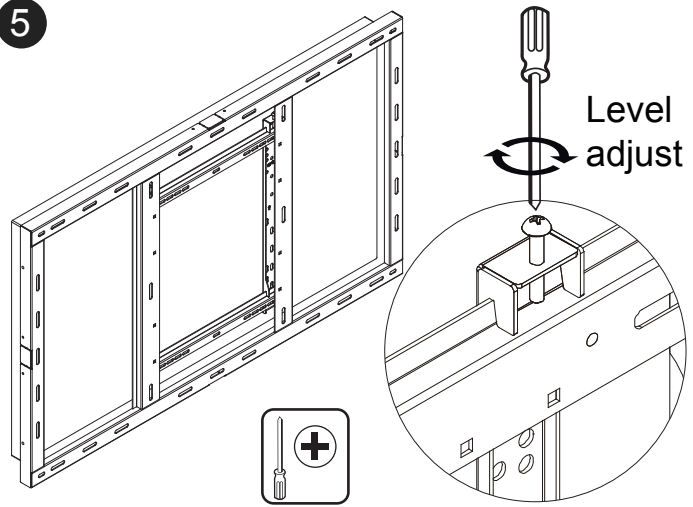
**Philips TV**



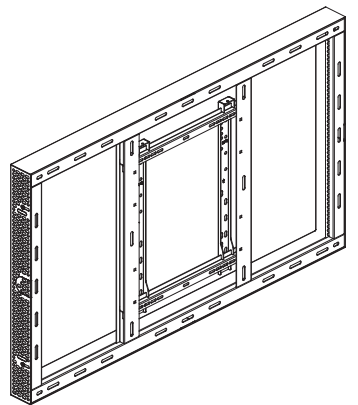
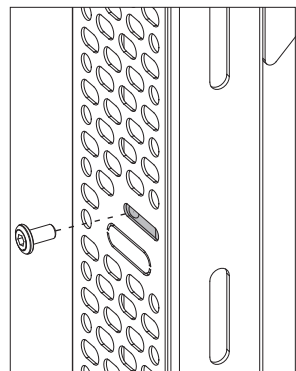
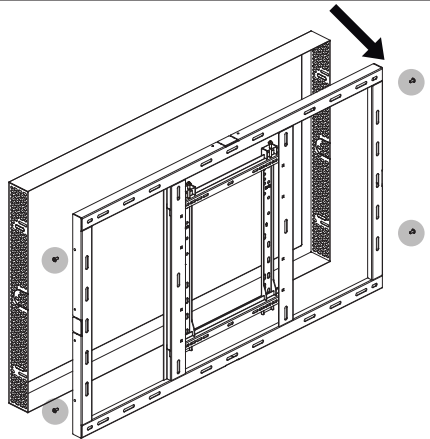
**4**



**5**



**6**



**7** Cable Management

