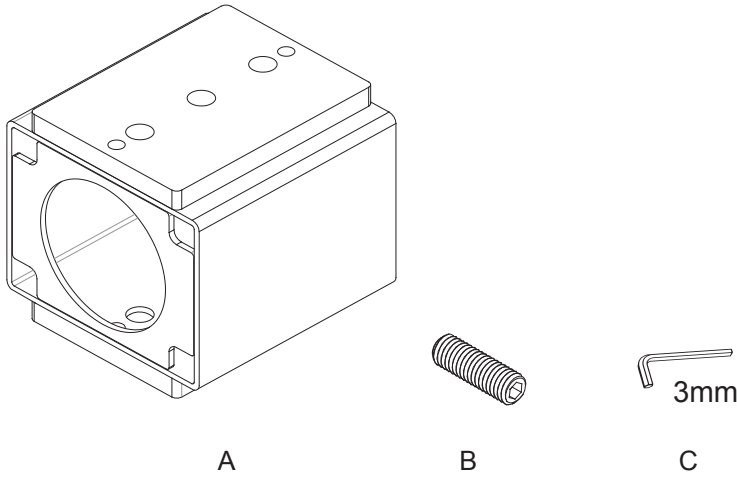
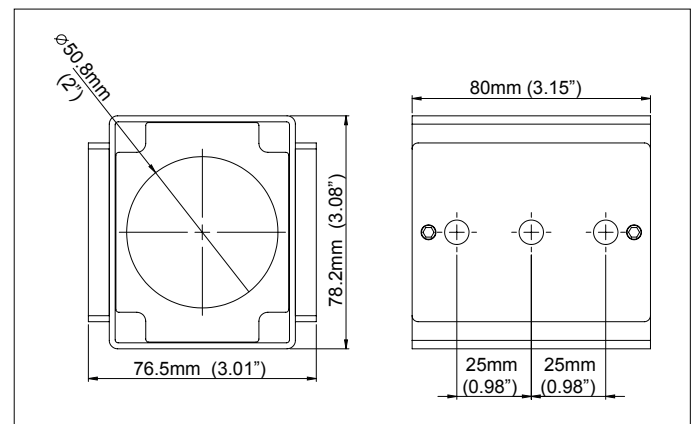


COMPONENT CHECKLIST

Item	Name	QTY
A	Pole Drill Jig	1
B	M6 x 16 Grub Screw	4
C	3mm Allen Key	1



PRODUCT DIMENSIONS



INSTALLATION INSTRUCTION

1. Cut tube to desired length

3. Drill new mount holes

2. Fix in place on tube

! Please do not cut the cable management hole