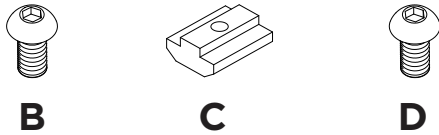
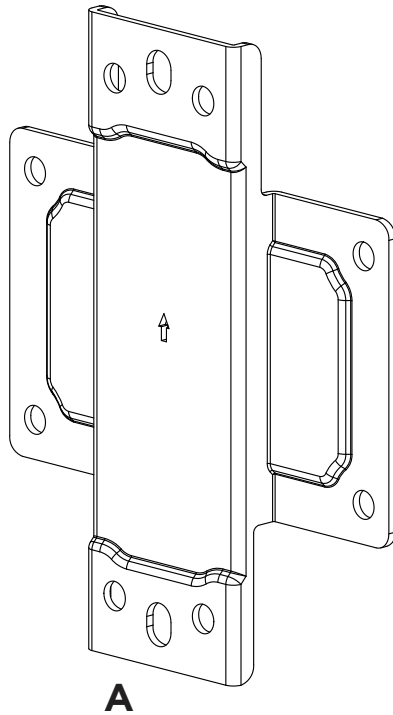
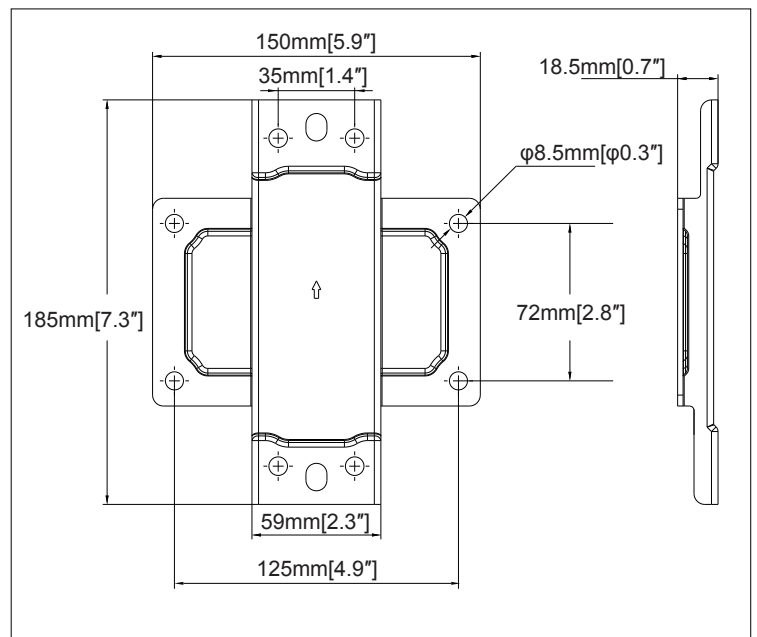


COMPONENT CHECKLIST

Item	Name	QTY
A	Rail Pole Plate	1
B	M8 x 10mm Screw	4
C	M8 Sliding Nut	4
D	M8 x 15mm Screw	4



PRODUCT DIMENSIONS



INSTALLATION INSTRUCTION

